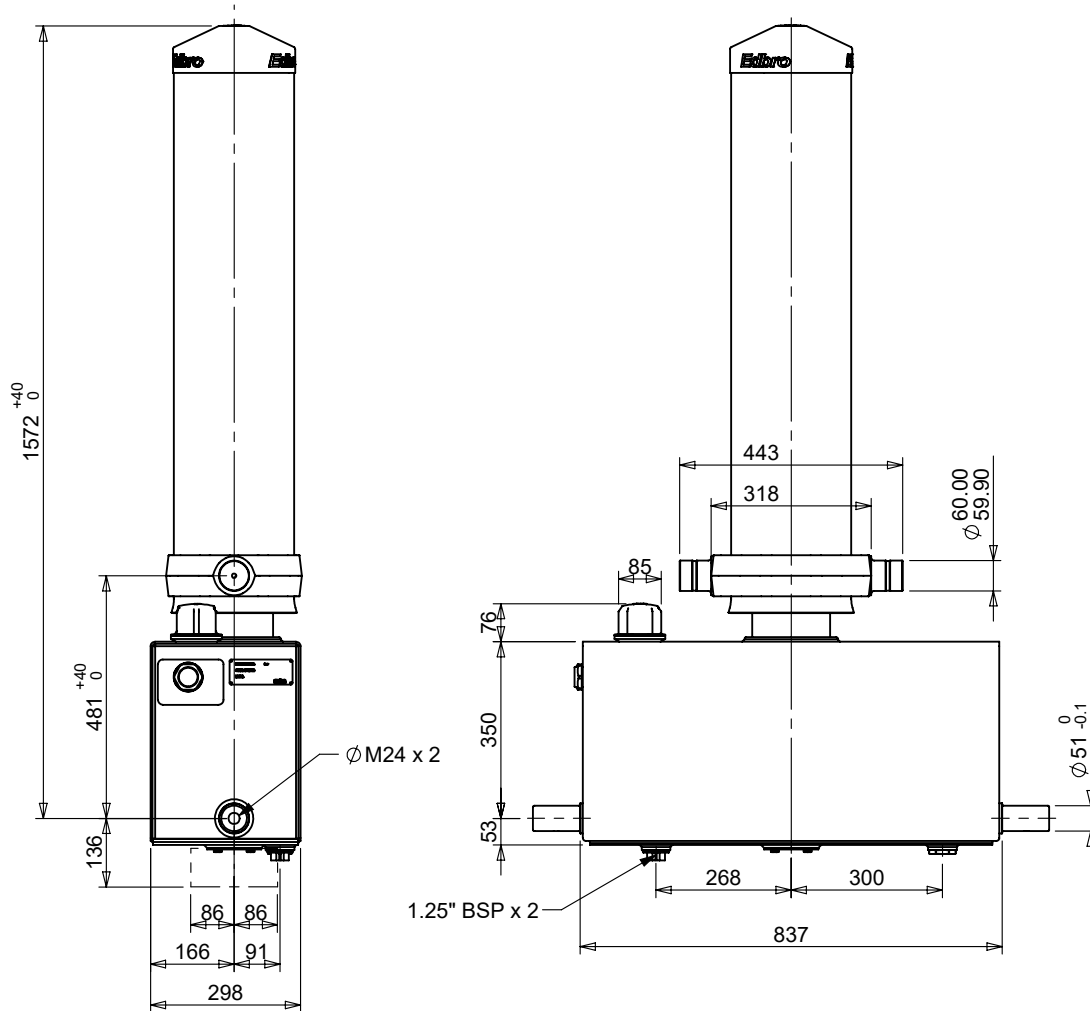


Cylinder 4 stage front end with outer cover

****ALLOW 50mm TO REMOVE CAP FOR SERVICING**

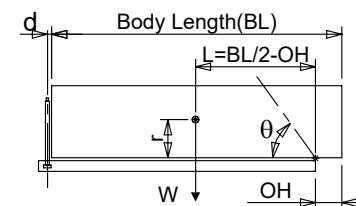


***Includes 10mm Pull Out.**

CX1400405041B533 ULTRA

SPECIFICATION		TIPPING CAPACITY : 26-43 TONNES***		
Stage	Diameter	Length	Stroke	Swept Volume
OUTER COVER	239	1120	-	-
0	155	1420	-	-
1	136	1440	1240	18
2	117	1440	1262	14
3	98	1440	1267	10
4	79	1440	1272	6
Total (+5/-10)			5041	48
Final stroke reduced by	-	Priming Volume		8
Cylinder Mass (Kg)	263	Total Volume (Litres)		56
Maximum Pressure (Bar)	190	Oil Tank Capacity (l)		65

***TIPPING CAPACITY AT WORKING PRESSURE



BODY LENGTH (BL)						OH
6000		6500		7000		
30	49°	27	45°	26	42°	150
35	52°	31	48°	28	44°	450
43	55°	36	50°	32	46°	750

d = 0; r = 900; Working Pressure 175 bar

For guidance only;

Higher working pressures and tipping capacities may be possible.
To check your application email - applications@edbro.co.uk

NOTES

- This cylinder is for lifting purposes only and side load conditions should be avoided
- Cylinder is painted in primer paint to RAL5013
- Refer to www.edbro.com for:-
 - Bracket details
 - Installation instructions that must be observed
 - Correct oil selection
 - An explanation of tipping capacity



Edbro plc
Nelson Street, Bolton, England, BL3 2JJ
Tel +44 (0) 1204 528888 Fax +44 (0) 1204 531957
Email: postmaster@edbro.com Web: www.edbro.com

Technical Specifications are subject to change without notice
Date Created/Updated: 21 February 2023
Refer www.edbro.com to confirm latest specification
All dimensions are in 'mm', unless otherwise stated