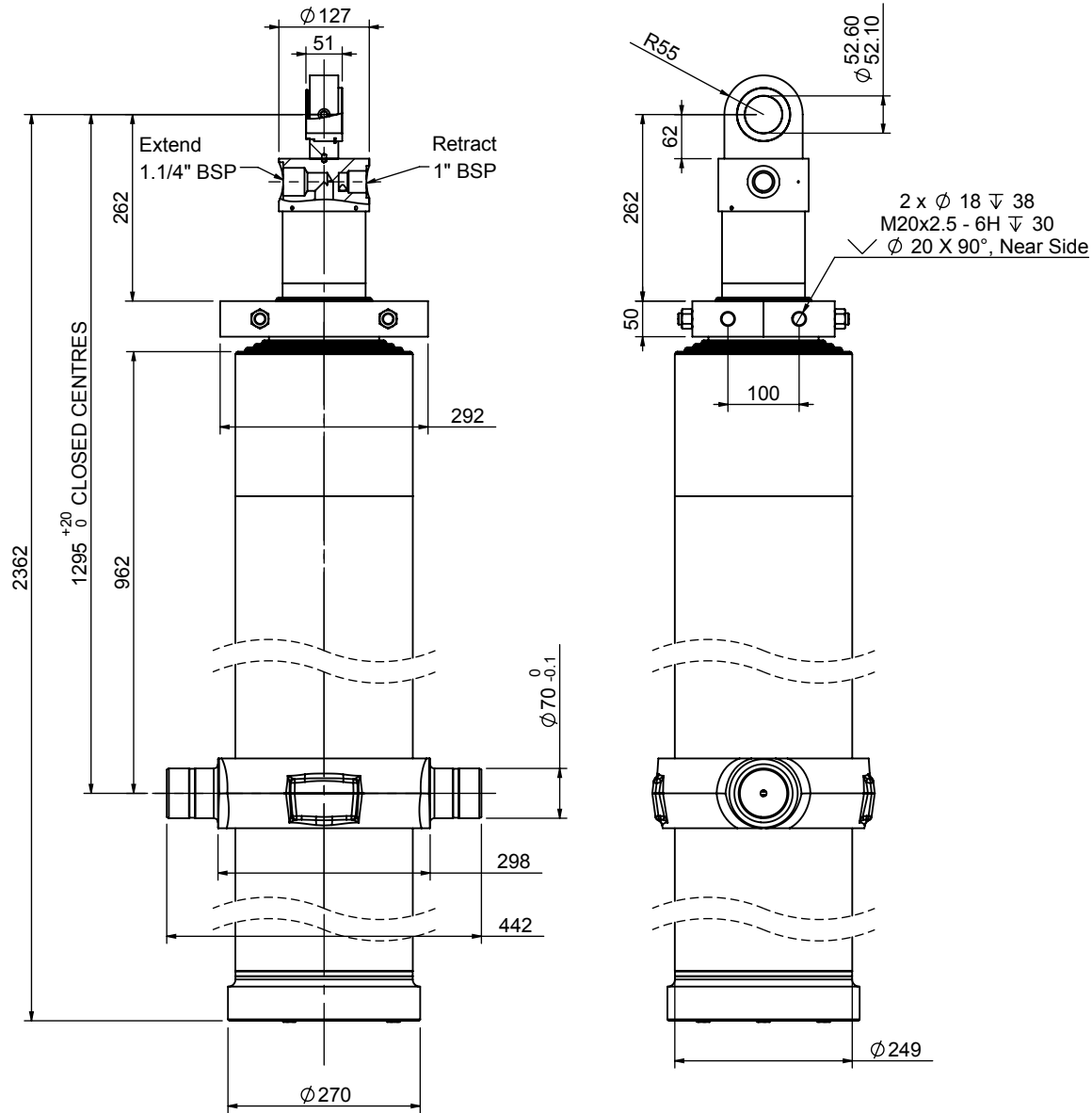


Cylinder 6 stage front end with spherical eye

CD22TE6410545BC51295



SPECIFICATION

Stage	Tube Diameter	Tube Bore	Length	Stroke	Swept Volume (Extend)	Swept Volume (Retract)
Base	249	230	2029	-	-	-
1	222	206	1990	1734	72.1	4.9
2	198	184	1990	1742	58.1	4.4
3	176	163	1990	1751	46.6	4.0
4	155	144	2040	1761	36.8	3.5
5	136	125	2040	1821	29.7	3.2
6	116	106	2165	1736	21.3	3.0
Total (+5/-10)				10545	mm	
Final stroke reduced by				100	mm	
Swept Vol (Extend)				264.6	Litres	
Swept Vol (Retract)				23	Litres	
Operating Pressure				190	Bar	
Cylinder Mass				501.39	Kg	
Stage	Thrust (t)					
	Extend	Retract				
1	80.5	5.5				
2	64.6	4.9				
3	51.5	4.4				
4	40.4	3.9				
5	31.5	3.4				
6	23.8	3.3				

INNER TUBES HARD CHROMED



Edbro plc
 Nelson Street, Bolton, England, BL3 2JJ
 Tel +44 (0) 1204 528888 Fax +44 (0) 1204 531957
 Email: postmaster@edbro.com Web: www.edbro.com

Technical Specifications are subject to change without notice
 Date Created/Updated: 19 July 2018
 Refer www.edbro.com to confirm latest specification
 All dimensions are in 'mm', unless otherwise stated

