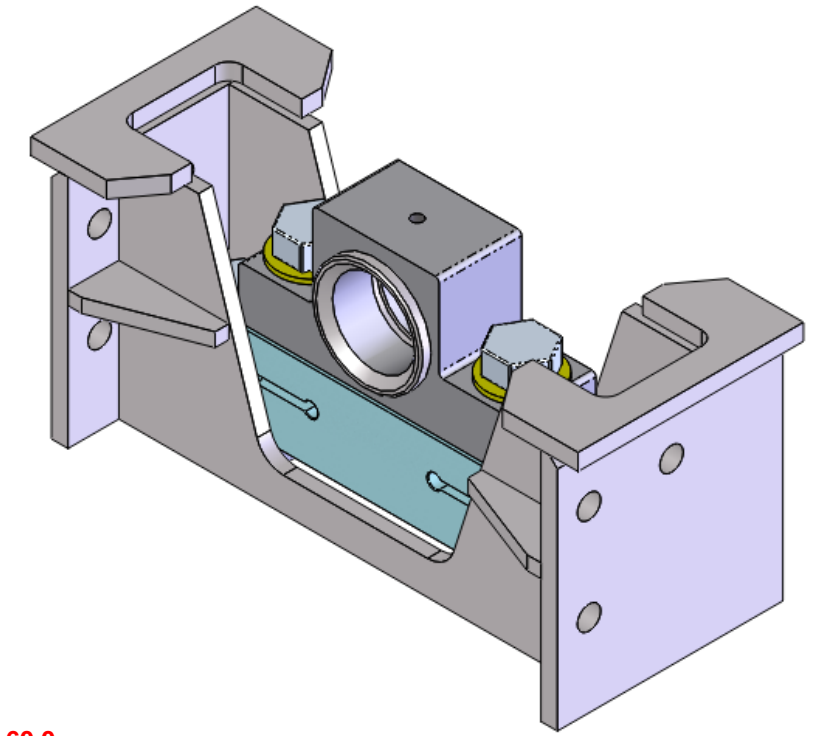
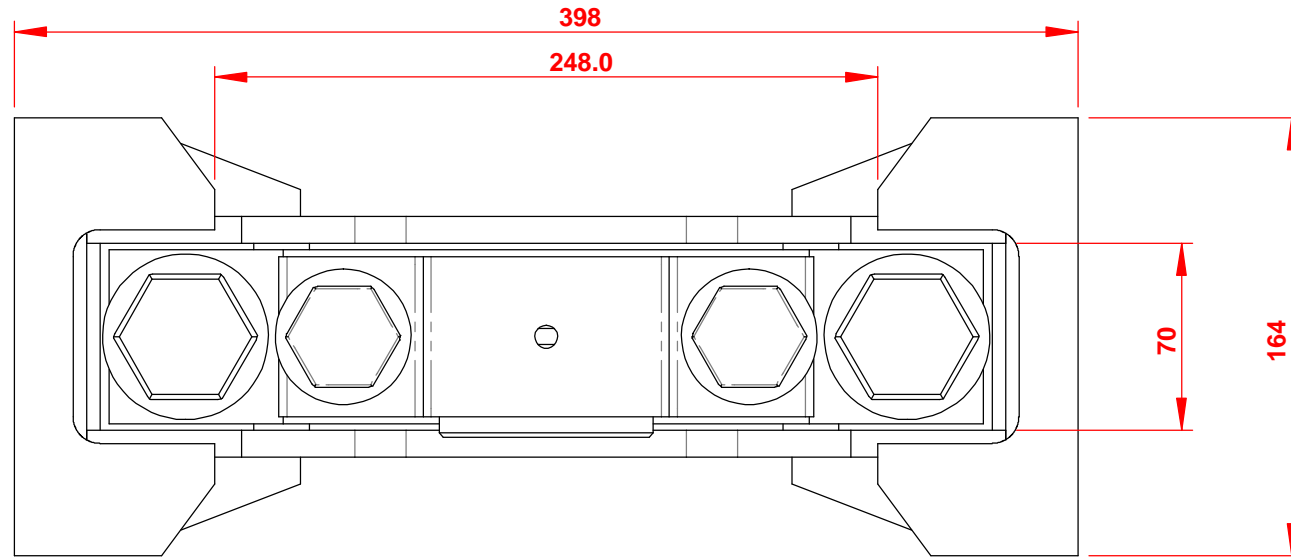
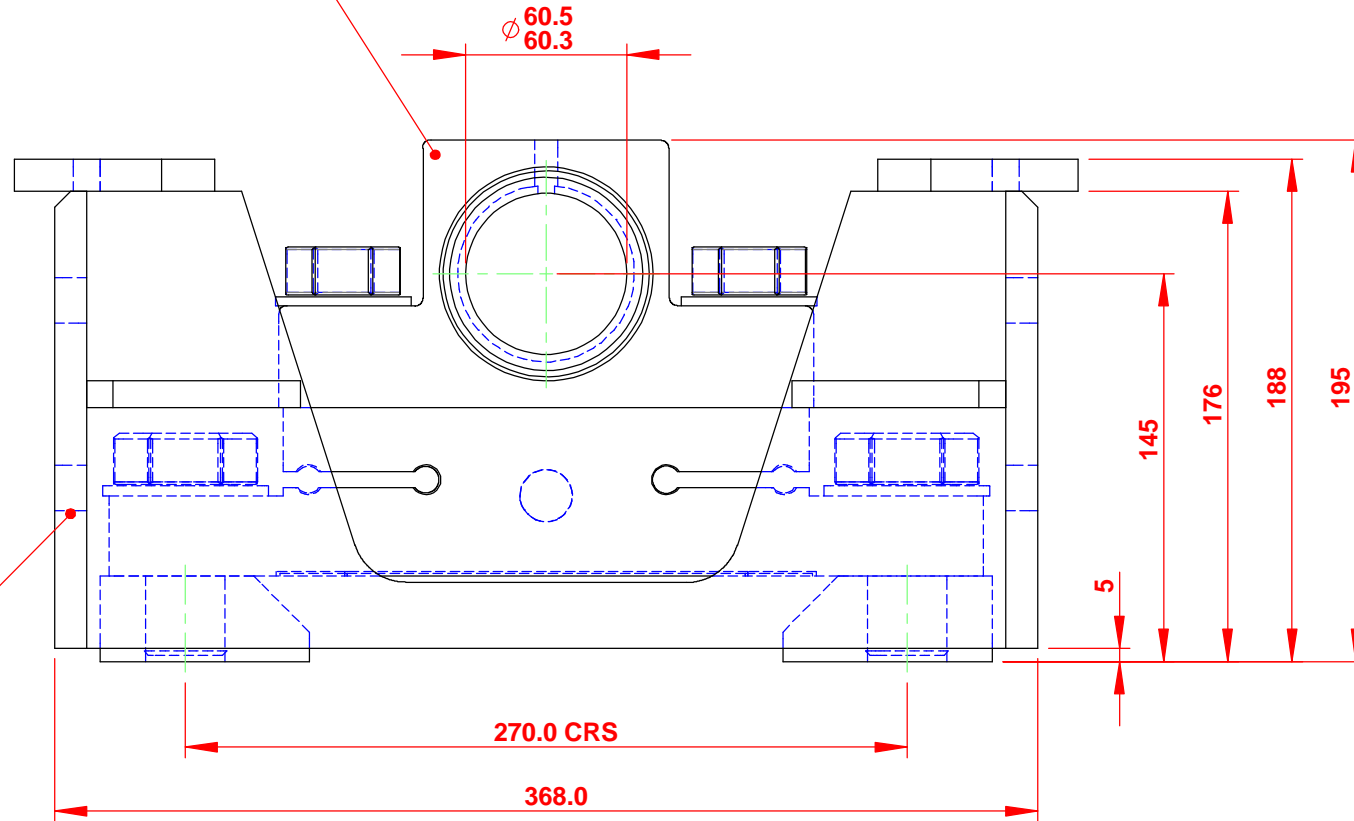


REMOVE ALL BURRS  
AND SHARP EDGES

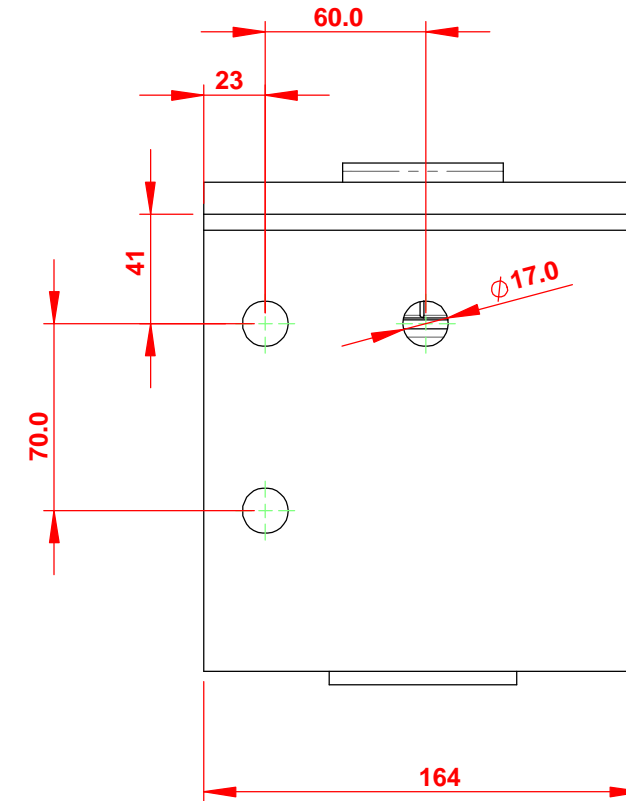
IF IN DOUBT ASK



TRUNNION P/No 197825  
( $\varnothing$ 60mm BORE)



FRONT CRADLE  
BRACKET P/No  
194830



		PROJECT NAME		TIPPER BODY WEIGHING	
No OFF		DATE:	TITLE:		
		22.10.15.	194830 FRONT CRADLE BRACKET WITH 197825 TRUNNION		
DRAWN:	G.C.	SCALE:			
		1:2			
MATERIAL:		PAGES	PART No.		
		1 OF 1			
		ALL DIMS IN MM UNLESS OTHERWISE STATED	DRAWING No.		REV.
		THIRD ANGLE PROJ.	194830_197825		0
					A2

SUPPLIER NOTE:  
DISCARD DRG. AFTER  
MANUFACTURE

**VPG**  
**ONBOARD**  
WEIGHING

VISHAY PM ONBOARD LTD  
AIREDALE HOUSE  
CANAL ROAD  
BRADFORD BD2 1AG  
TEL: 01274 771177  
FAX: 01274 781178

THIS DRAWING/SPECIFICATION IS THE  
PROPERTY OF VISHAY PM ONBOARD LIMITED  
IT IS CONFIDENTIAL AND PROTECTED  
BY COPYRIGHT. IT MUST NOT BE LOANED  
COPIED, REPRODUCED OR COMMUNICATED  
EITHER WHOLLY OR IN PART TO A THIRD  
PARTY AND MUST NOT BE USED FOR ANY  
PURPOSE DETRIMENTAL TO THE INTERESTS  
OF VISHAY PM ONBOARD LIMITED WITHOUT  
THEIR WRITTEN PERMISSION.

SURFACE FINISH  
UNLESS  
OTHERWISE STATED

TOLERANCES  
NO DEC. PLCS  $\pm$  0.25mm  
ONE DEC. PLC  $\pm$  0.10mm  
TWO DEC. PLCS  $\pm$  0.05mm  
ANGLES  $\pm$  2 DEG.