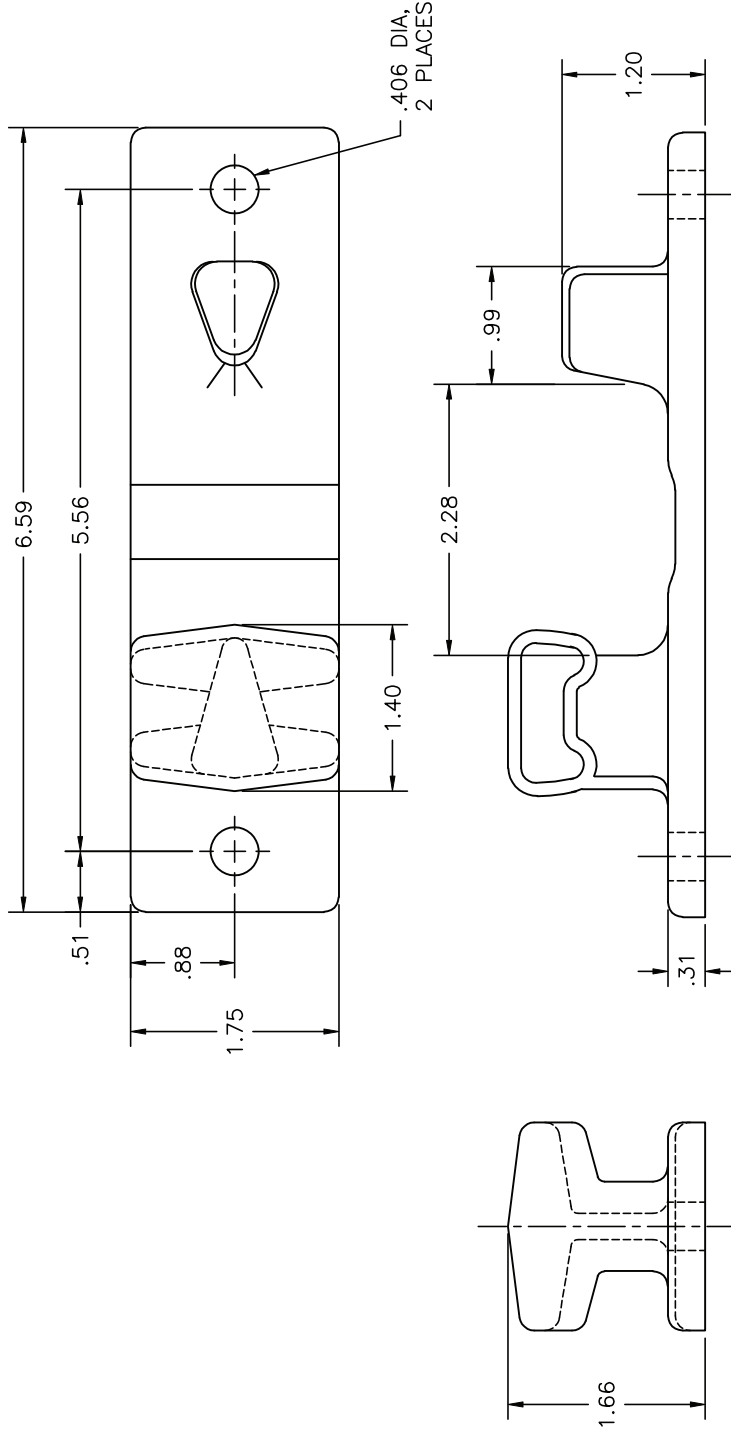


6-1969-181

CONFIDENTIAL NOTICE: This drawing and the designs, specifications and engineering information disclosed herein are the property of Eberhard Manufacturing Company and are not to be disseminated or reproduced without express written consent. If this drawing is used for any purpose other than that intended, the user assumes all liability for any and all consequences. Eberhard Manufacturing Company, Division of The Eastern Company, 21944 Innes Road, Cleveland, Ohio 44149-9712 © 2008 EBERHARD MFG. CO.

NO	CHANGE	ENG. NO.	DATE
	RELEASED	DR 5354	5-30-08



CUSTOMER PRINT
SHEET 1 OF 2

NOTE: FINISH — HOT DIP
GALVANIZED, FC (13)

EBERHARD MANUFACTURING CO.
DIVISION OF
THE EASTERN COMPANY
CLEVELAND, OHIO 44149-9712

UNLESS OTHERWISE SPECIFIED TOLERANCES ARE AS FOLLOWS:		DATE	NAME
ANGLES:	±.2°	5-27-08	
2 PLACE DEC.:	±.03	DRY	
3 PLACE DEC.:	±.015	FLP	
ALL HOLES:	±.005	FULL	
		CHK'Y	
MATERIAL		32510 MALLEABLE IRON	
PART NUMBER		6-1969-1	
BOLT-ON KEEPER			