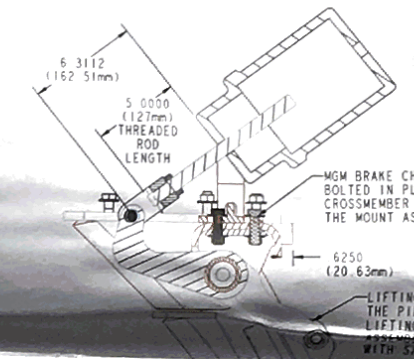
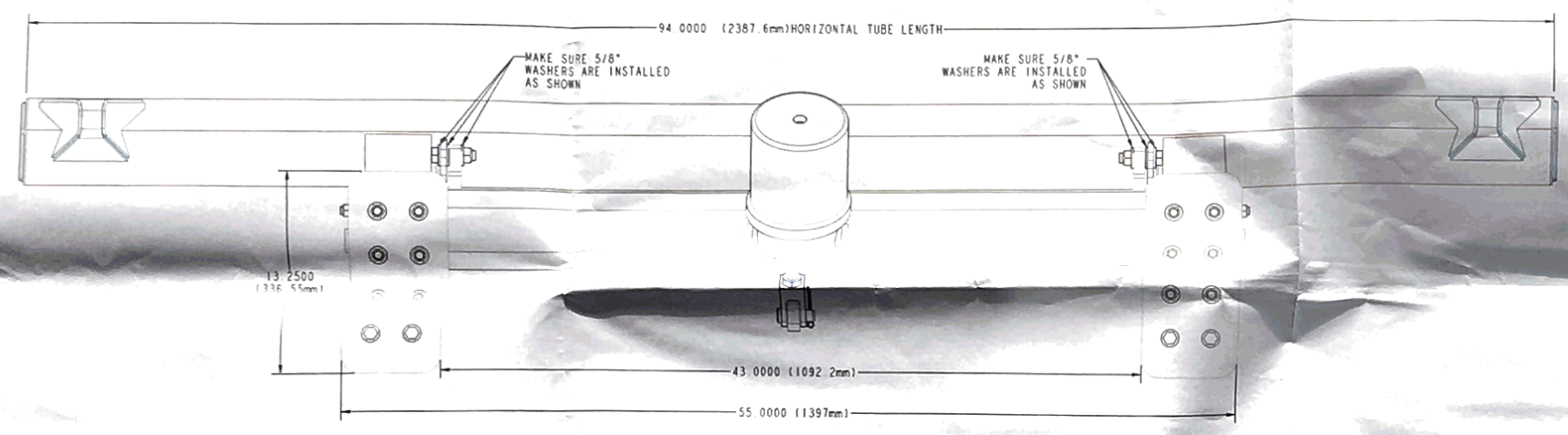
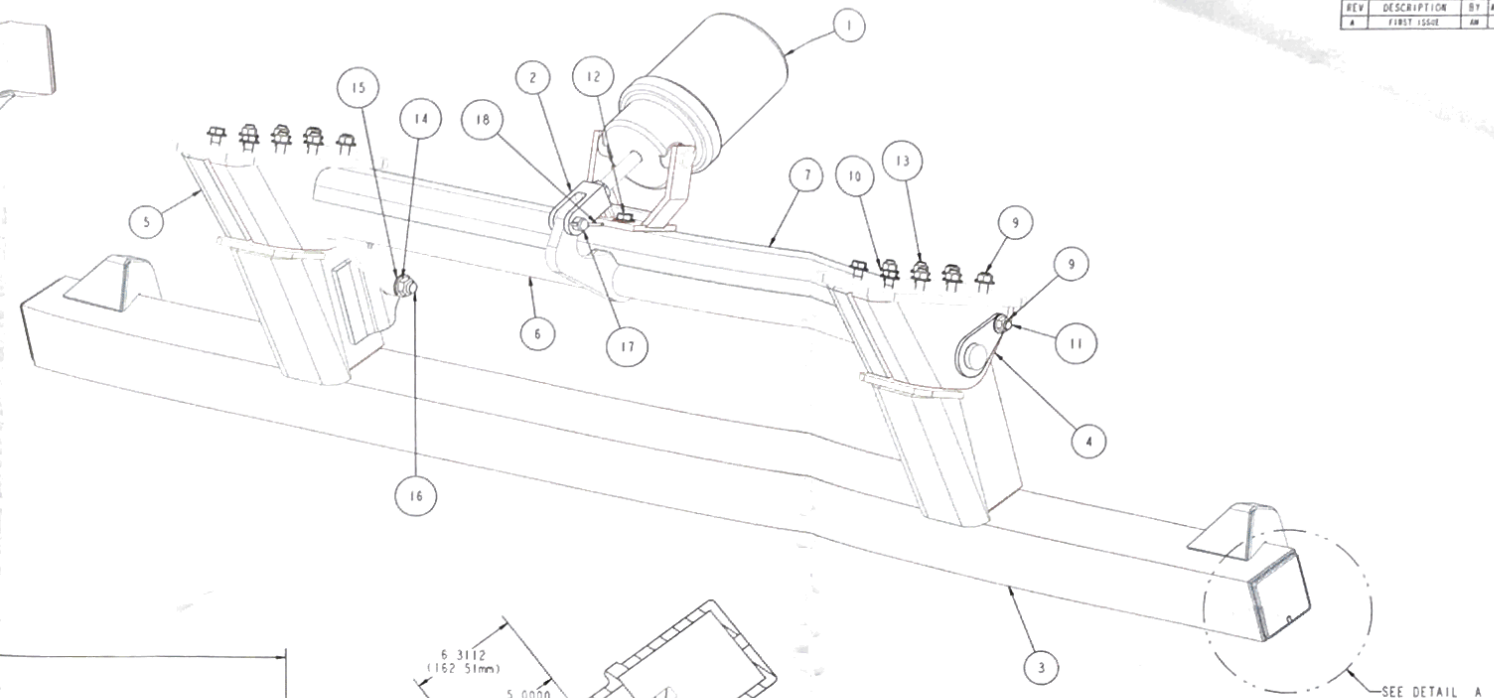
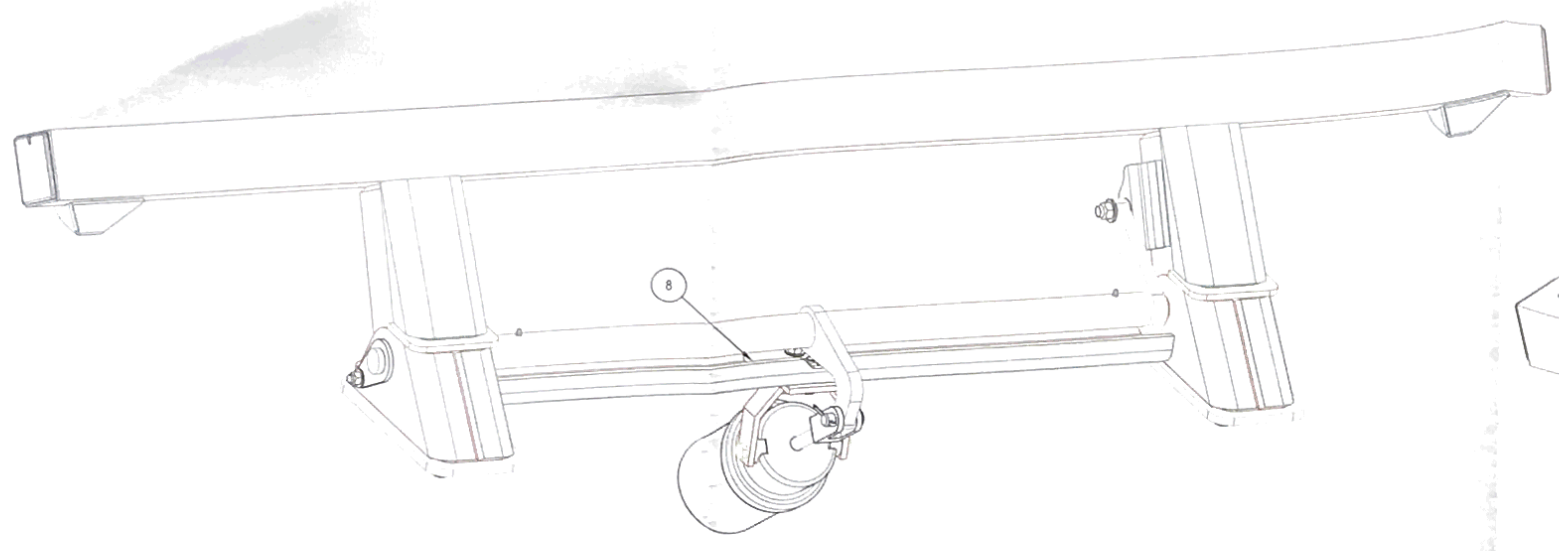


REVISIONS			
REV	DESCRIPTION	BY	DATE
1	FIRST ISSUE	AM	12-JAN-15



MCM BRAKE CHAMBER BOLTED IN PLACE TO THE CROSSMEMBER SPANNING BETWEEN THE MOUNT ASSEMBLIES

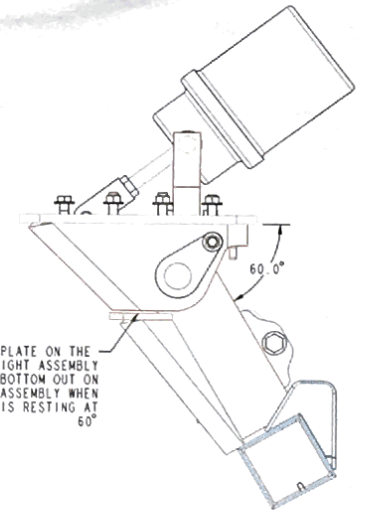
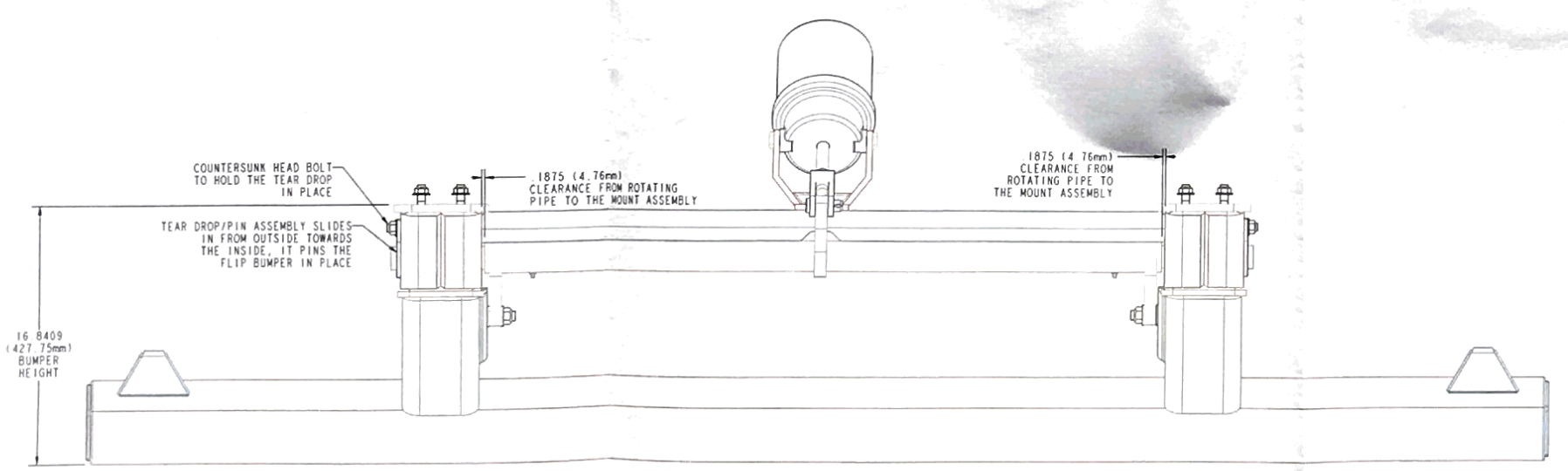
6.250 (20.63mm)

LIFTING LUG WELDED TO THE PIPE IS BOLTED TO THE LIFTING LUG ON THE UPRIGHT WITH 5/8" BOLTS

MAKE SURE SHARP EDGES ARE ROUNDED AT THE END OF THE BUMPER HORIZONTAL. 1" (25mm), TYP BOTH ENDS OF THE BUMPER HORIZONTAL

SECTION MID-MID

DETAIL A SCALE 1:2



ITEM	QTY	SP	DESCRIPTION	DWG NO	R	L	REV	VER
18	1	PPT	COTTER PIN, 5/32" PLATED STEEL	HOW-CP532-2			A	4
17	1	PPT	CLEVIS PIN, 0.374" x 1"	HOW-B270B1-28A2			A	143
16	2	PPT	BOLT, 5/8"-11 x 2 1/4" NC GR B ZINC PLATED HEX	HOW-S80-214-0082			A	15
15	6	PPT	WASHER, 5/8" FLAT, GRADE 8	HOW-S80-000-2082			B	50
14	2	PPT	LOCKNUT, 1/2" ALL-METAL, ZINC, GRADE 8	HOW-S80-000-1732			B	15
13	8	PPT	BOLT, 1/2"-13UNC x 1 3/4" GRB	HOW-120-134-9092			A	21
12	10	PPT	BOLT, 1/2"-13 x 1 3/4" NC GR B 2P HEX CAP	HOW-120-134-0082			A	19
11	2	PPT	BOLT, 1/2"-13UNC x 1 1/4 GRB	HOW-120-114-9092			A	21
10	30	PPT	WASHER, 1/2" FLAT, GRB	HOW-120-000-2082			A	50
9	20	PPT	LOCKNUT, 1/2" ALL-METAL, ZINC, GRADE 8	HOW-120-000-1732			B	16
8	1	N	SPACER PLATE	50WF0146-01			B	3
7	1	N	MOUNT PLATE, MCM CYLINDER	50WF0143-01			C	2
6	1	N	PIVOT ARM ASSEMBLY	50WF0142-01			A	1
5	1	N	MOUNT ASSEMBLY, RIGHT	50WF0136-R01			A	3
4	1	N	MOUNT ASSEMBLY, LEFT	50WF0136-L01			A	3
3	1	N	BUMPER ASSEMBLY	50WF0127-01			A	5
2	1	N	CLEVIS, SHORT, FINE THREAD	35TP0555-02			A	6
1	1	PPT	MCM CYLINDER ASSY	5337-VALS005012-CLOSED			A	4

ALTERNATE PROCESS UNLESS OTHERWISE SPECIFIED DIMENSIONS ARE IN INCHES

PROCESS INFO FOR REFERENCE ONLY SEE GLOBAL SHOP FOR PROCESS INFO

TOLEANCES: FRACTIONAL: 1/32" - 1/16" DECIMAL: .001" - .01" ANGULAR: MACHINED 88 25° BEND 80 3° BEND 90 3° TWO PLACE 0.04 THREE PLACE 0.01

INTERPRET GEOMETRIC TOLERANCING TO ANSI PROPRIETARY AND CONFIDENTIAL THE INFORMATION CONTAINED IN THIS DRAWING IS THE SOLE PROPERTY OF TITAN TRAILERS, INC. ANY REPRODUCTION IN PART OR AS A WHOLE WITHOUT THE WRITTEN PERMISSION OF TITAN TRAILERS, INC. IS PROHIBITED.

RELEASE LEVEL: IN WORK STOCK PART: N

MODELED BY: AM DATE: 12-JAN-15

DRAWN BY: AM CHECKED BY: AM DATE: 12-JAN-15

DESCRIPTION: FLIP UP BUMPER ASSEMBLY FITS 54" FRAME WIDTH AGGREGATE TRAILER

MATERIAL NUMBER: N/A MATERIAL DESCRIPTION: N/A

MATERIAL LENGTH: N/A MATERIAL WIDTH: N/A MATERIAL TYPE: N/A FINISH: N/A WEIGHT: 169.164 LBS

SCALE: 3:16 SHEET 1 OF 1

50WF0139-01

TITAN TRAILERS, INC.