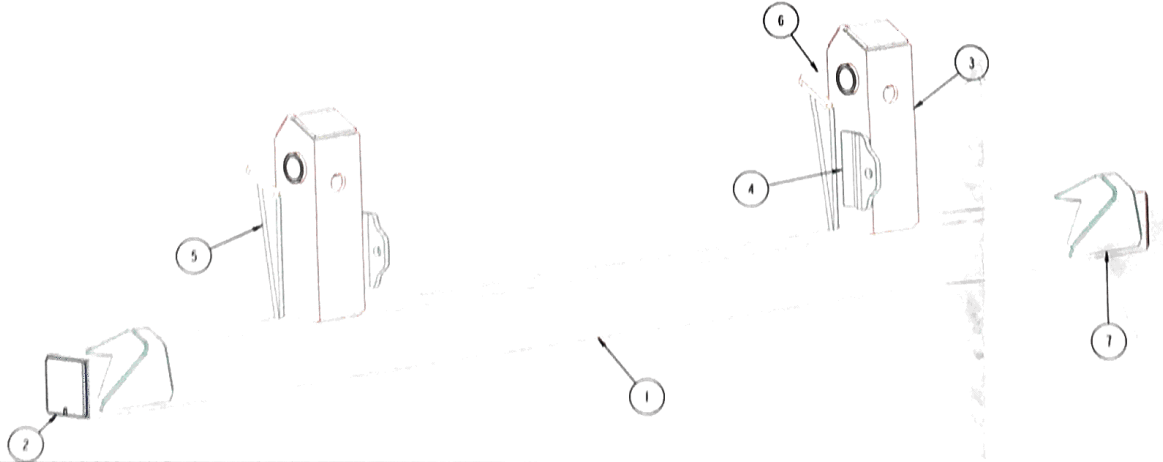
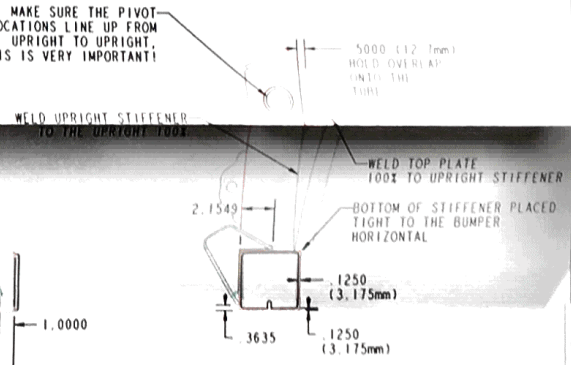
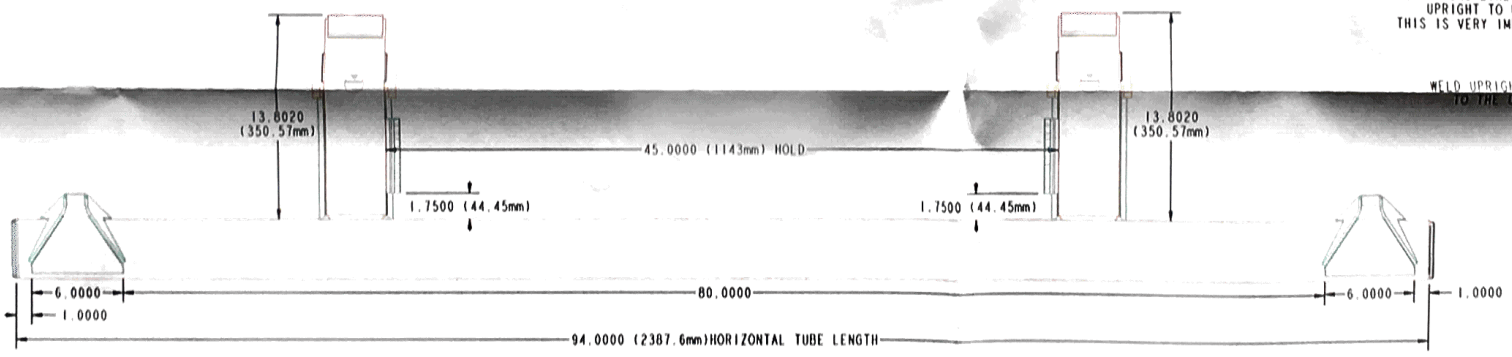
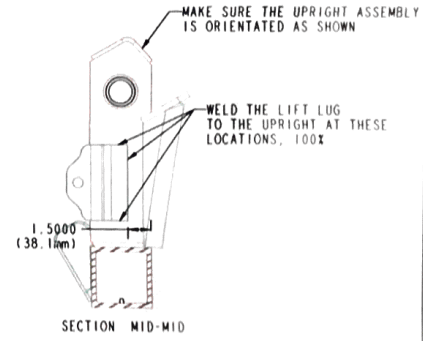
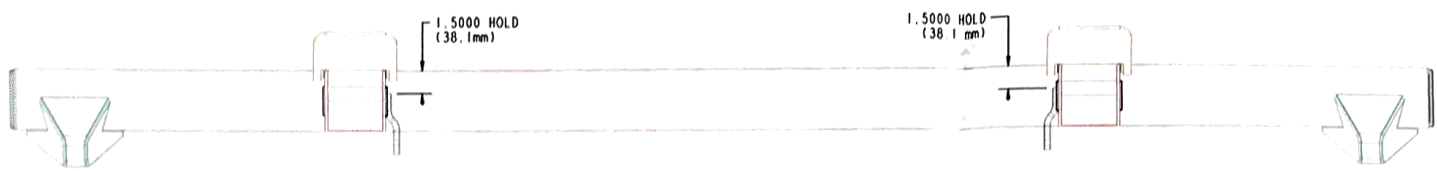


REVISIONS				
REV	DESCRIPTION	BY	APPR	DATE
1	FIRST ISSUE	AM	AM	12-JAN-15



ITEM	QTY	SP	DESCRIPTION	DWG. NO.	R. L.	REV	VER
7	2	N	MOUNT ASSEMBLY, REFLECTOR	BOWF0055.01		A	0
6	2	N	CAP PLATE, UPRIGHT STIFFENER	SOWF0130.01		A	0
5	2	N	STIFFENER PLATE, UPRIGHT	SOWF0129.01		C	4
4	2	N	LIFTING LUG, BUMPER UPRIGHT	SOWF0128.01		A	2
3	2	N	BUMPER UPRIGHT, PIVOT STYLE	SOWF0126.01		A	4
2	2	Y	ENDCAP, 4x4 BUMPER TUBE	SOATP-000003		A	10
1	1	N	BUMPER TUBE 94"	SOATP-000002-11		B	23

ITEM	QTY	SP	DESCRIPTION	DWG. NO.	R. L.	REV	VER
ALTERNATE PROCESS			UNLESS OTHERWISE SPECIFIED DIMENSIONS ARE IN INCHES	NAME	DATE		
PROCESS INFO FOR REFERENCE ONLY SEE GLOBAL SHOP FOR PROCESS INFO			MODELLER BY:	AM	12-JAN-15		
			DRAWN BY:	AM	12-JAN-15		
			CHECKED BY:	AM	12-JAN-15		
			DESCRIPTION			BUMPER ASSEMBLY FLIP UP BUMPER AGGREGATE TRAILER	
MATERIAL NUMBER			MATERIAL DESCRIPTION				
N/A			N/A				
MATERIAL LENGTH			MATERIAL WIDTH			MATERIAL TYPE	
N/A			N/A			FINISH	
MATERIAL TYPE			FINISH			WEIGHT	
N/A			N/A			64.672 LBS	
RELEASE LEVEL			DWG. NO.			REV	
N/A			SOWF0127.01			A 5	
STOCK PART			SCALE			SHEET 1 OF 1	
N			5:32				



5673-01-0012-03-33-46
 MEMBER OF
 PER TRAILERS