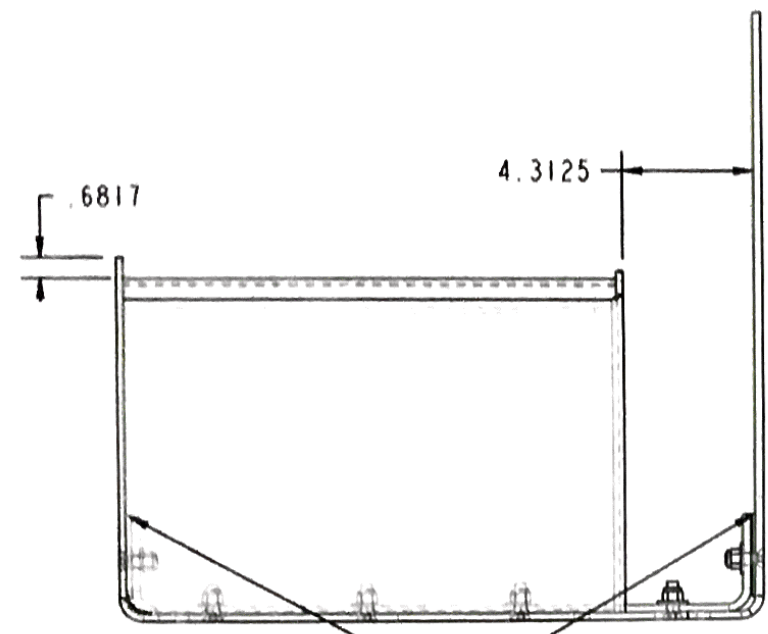
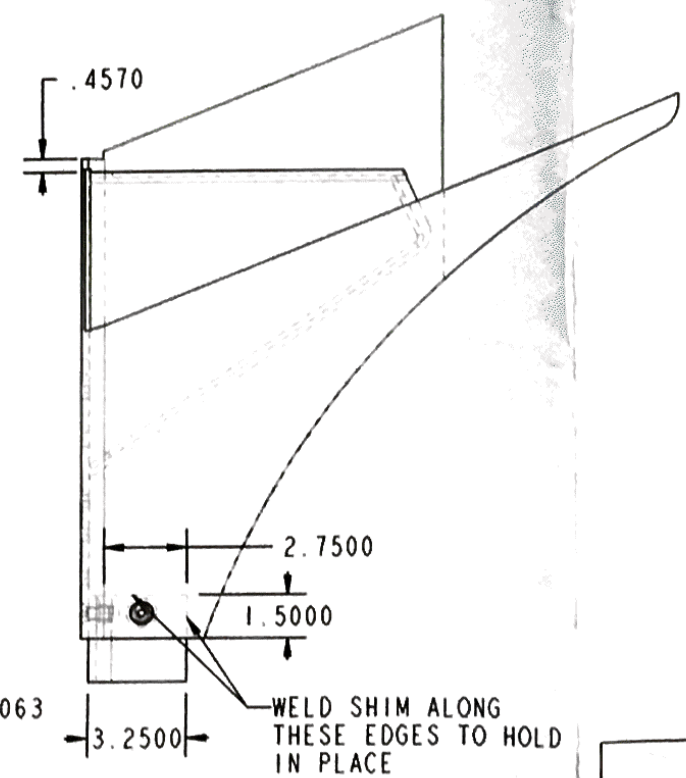
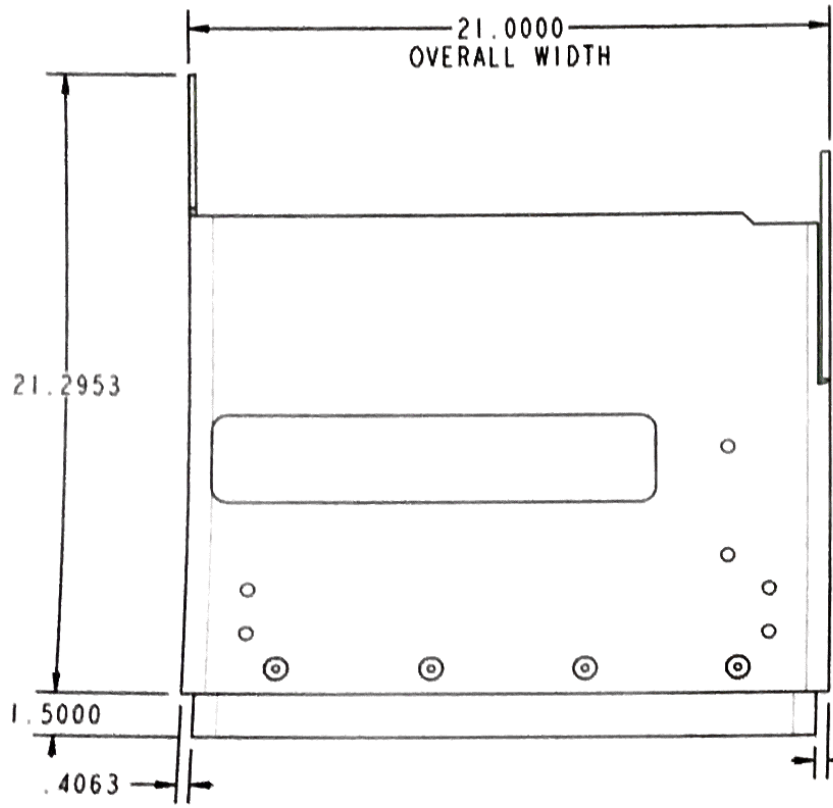
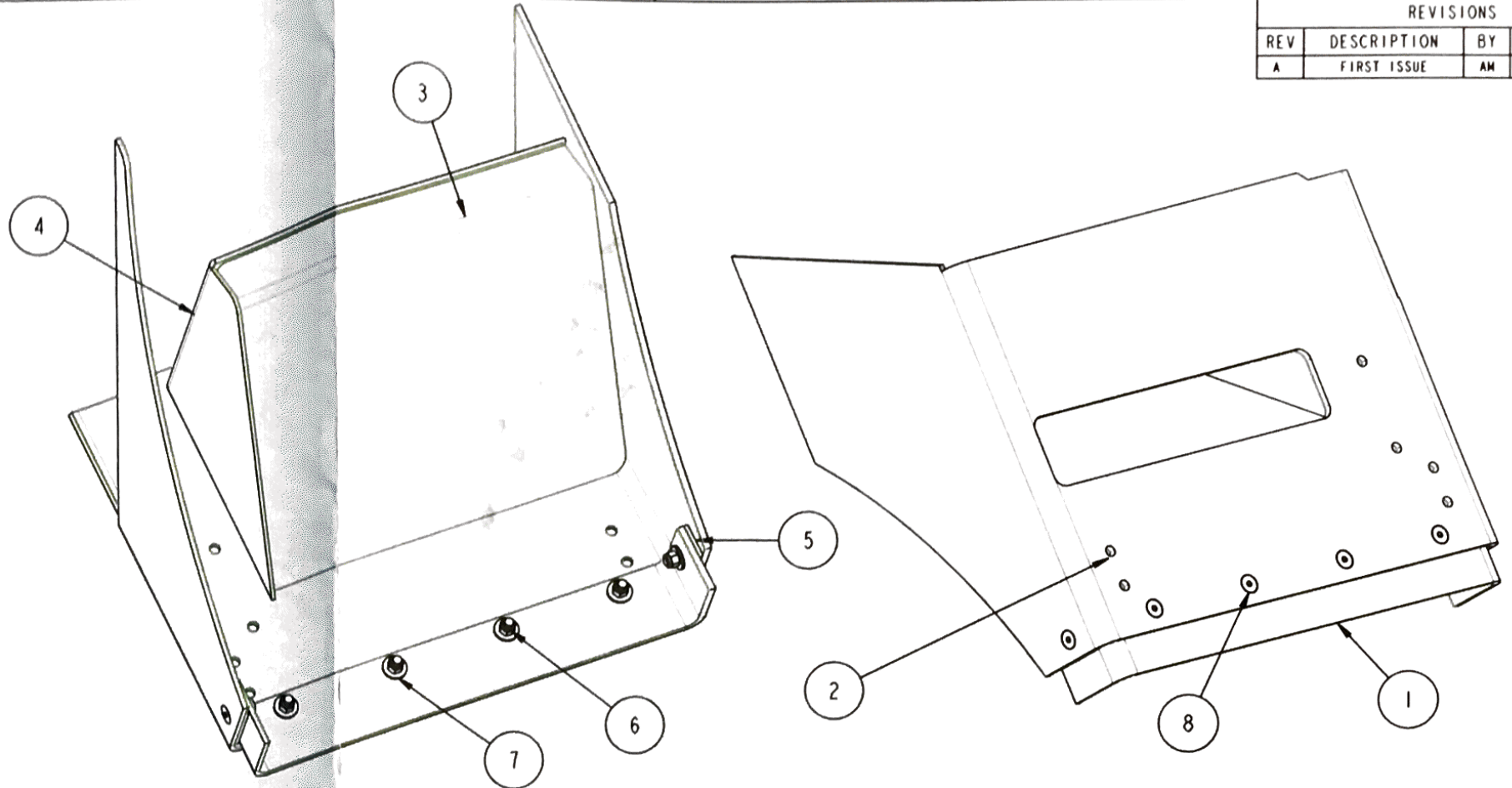


REVISIONS				
REV	DESCRIPTION	BY	APPR	DATE
A	FIRST ISSUE	AM	AM	25-FEB-16



SHIM ADDED BETWEEN FORMED EXTENSION AND FORMED MUDGUARD, WELD IN PLACE TO HOLD



ITEM	QTY	SP	DESCRIPTION	DRAWING NUMBER	REV	VER
8	6	PPT	BOLT, 3/8-16 UNC x 1-1/4 STAINLESS FLAT SOC HEAD	HDWP_380_114_909S	A	9
7	6	PPT	WASHER, 3/8" FLAT, HEAVY DUTY	HDW_380_000_202SHD	A	21
6	6	PPT	LOCKNUT, 3/8" NYLON INSERT	HDW_380_000_181S	A	14
5	2	N	SHIM PLATE, MUDGUARD	60WF0199_01	A	0
4	1	N	COVER PLATE, TOP	60WF0164_01	A	0
3	1	N	COVER PLATE, BOTTOM	60WF0163_01	A	0
2	1	N	MUDGUARD, REAR, RIGHT	60WF0150_01	B	3
1	1	N	SUPPORT PLATE, MUDGUARD	60WF0142_01	A	1

UNLESS OTHERWISE SPECIFIED DIMENSIONS ARE IN INCHES

TOLERANCES:
 FRACTIONAL:
 1/32" ±1/32
 1/16"-1/2" ±1/16
 ANGULAR:
 MACHINED ±0.25°
 BEND ±0.5°
 DECIMALS:
 TWO PLACE ±0.06
 THREE PLACE ±0.031
 INTERPRET GEOMETRIC TOLERANCING AS PER: ANSI

THIRD ANGLE PROJECTION

MODELED BY: AM 25-FEB-16
 DRAWN BY: AM 25-FEB-16
 CHECKED BY: AM 25-FEB-16

PROPRIETARY AND CONFIDENTIAL THE INFORMATION CONTAINED IN THIS DRAWING IS THE SOLE PROPERTY OF TITAN TRAILERS INC. ANY REPRODUCTION IN PART OR AS A WHOLE WITHOUT THE WRITTEN PERMISSION OF TITAN TRAILERS INC. IS PROHIBITED.

TITAN TRAILERS INC.

DESCRIPTION: MUDGUARD/SUPPORT ASSEMBLY, RIGHT
 FITS FLIP UP MUDGUARD
 AGGREGATE TRAILER

ERP LABEL AREA - DO NOT USE

MATERIAL NUMBER:	N/A		
MATERIAL TYPE:	N/A	MATERIAL LENGTH:	N/A
		MATERIAL WIDTH:	N/A
STOCK PART:	N	FINISH:	N/A
		WEIGHT:	24.770 LBS.
DRAWING NUMBER:	60WF0154_01		REV VER
			A 2
SCALE:	5:32	SHEET	1 OF 1

PCS ASSY TOTAL 16
 NUMBER OF TRAILERS 16
 PCS ASSY PER TRAILER 1
 5673-01-UNITS 33-48

