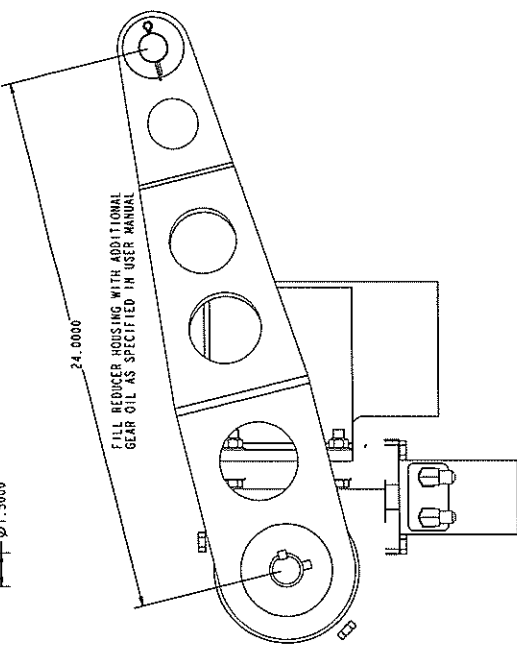
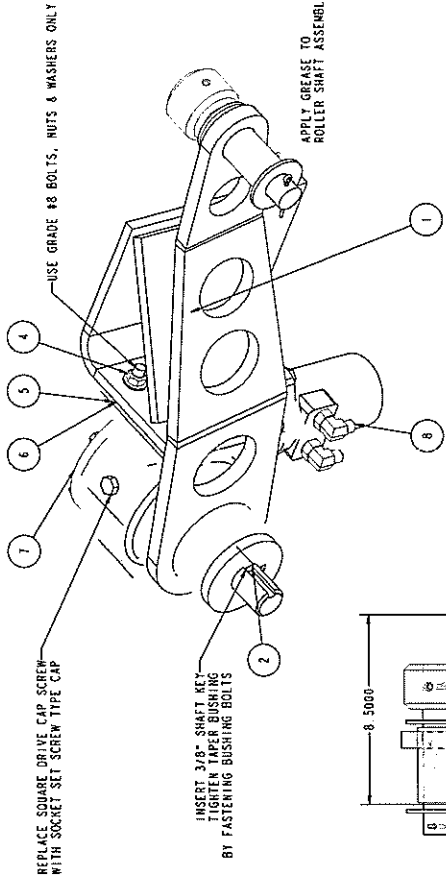
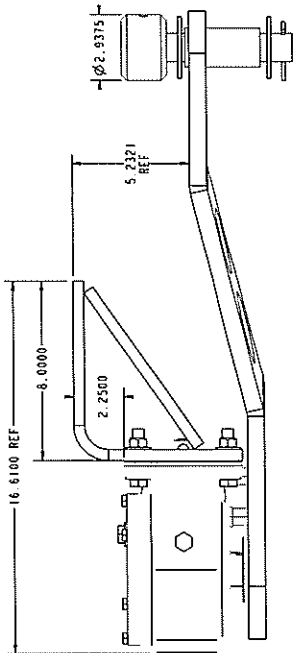


REVISIONS		
REV	DESCRIPTION	BY / APPR DATE
1	ISSUED	LT / 06/10/12



USE 7/8 - 14 SAE - 316 J1C HYDRAULIC MALE FITTINGS

APPLY GREASE TO ROLLER SHAFT ASSEMBLY

ITEM	QTY	SP	DESCRIPTION	DWG. NO.	REV
8	2	PP	FITTING, TANSIE-3/8" JIC, ELBOW	IND-0135AE-315 JIC	A
7	1	PP	HYDRAULIC REDUCER ASST	IND-1015SR-48-3.6 RH	A
6	4	PP	BOLT, 1/2" - 13 x 2 1/4" VC GR 8 PP HEX CAP	DOM-120-314-0882	A
5	8	PP	WASHER, 1/2" - 13T, GROUND, ZINC PLATED	DOM-120-505-2881	A
4	4	PP	LOCKWASH, 1/2" ALL METAL ZINC GRADE C	DOM-120-505-1131	A
3	1	SH	ROLLER ARM ASSEMBLY, 1-1/2" I D HUB	40SW-000224-01	A
2	1	SH	KEYSTOCK, 3/8" SQUARE, 3-1/2" LONG	40SW-000394-01	B
1	1	SH	FORMED SUPPORT MOUNT ASSEMBLY, RIGHT	40AW-000564-02-R	2

NAME		DATE	
DRAWN BY	CHKD BY	18-JUN-07	18-JUN-07

MATERIAL		FINISH		TOLERANCE		WEIGHT	
N/A	N/A	N/A	N/A	N/A	N/A	179.142	LBS.

RELEASE LEVEL		SCALE		SHEET	
1	4	1:4	1 OF 1	D	8

IMPORTANT:
 FILL REDUCER HOUSING WITH ADDITIONAL
 GEAR OIL AS SPECIFIED IN USER MANUAL



FLIP ROOF ROTARY ACTUATOR, RIGHT
 1000 SERIES ROTARY ACTUATOR, 3" DIA ROLLER
 TO SUIT ALUMINUM FLIP TARP ROOF

