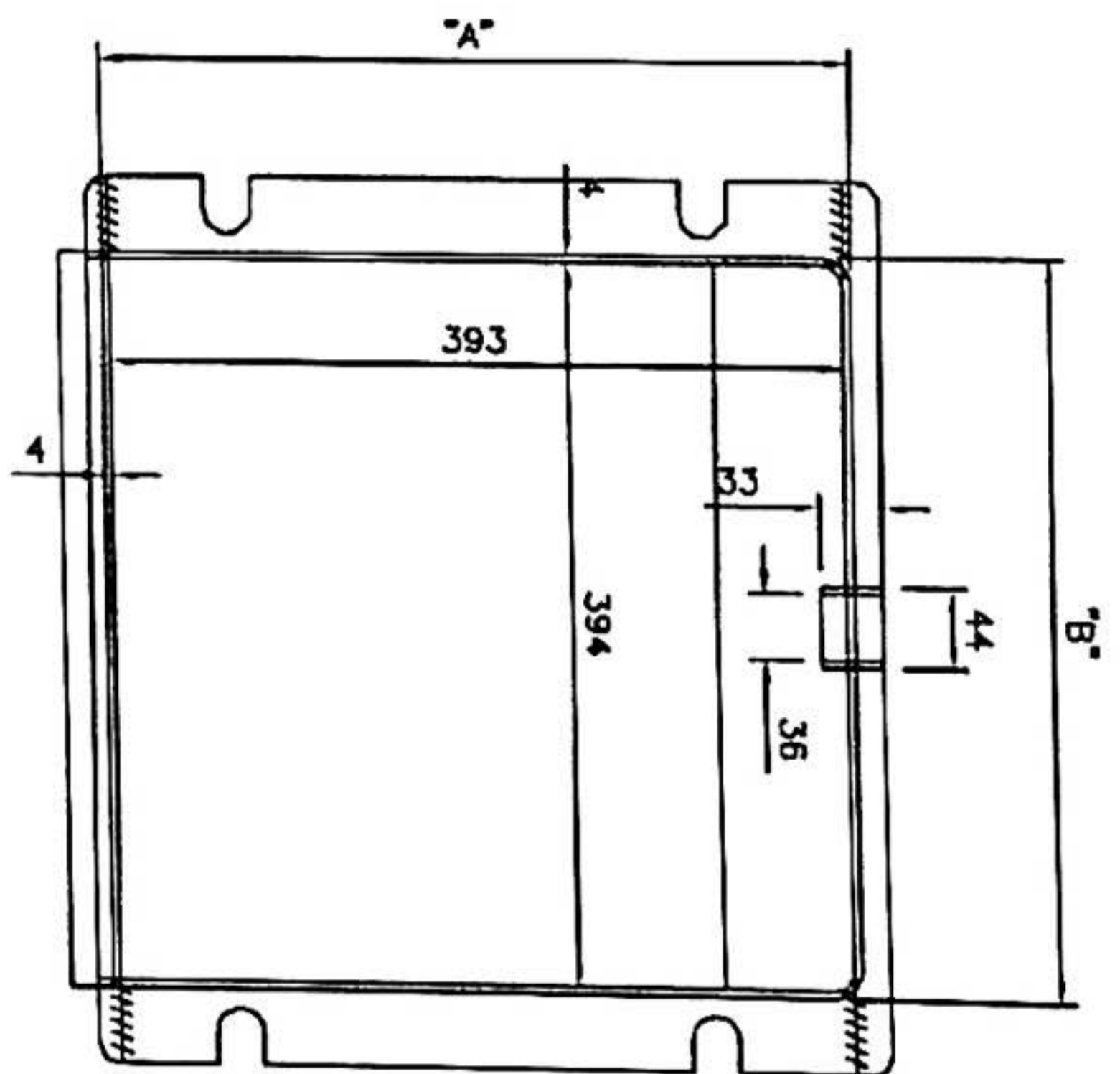
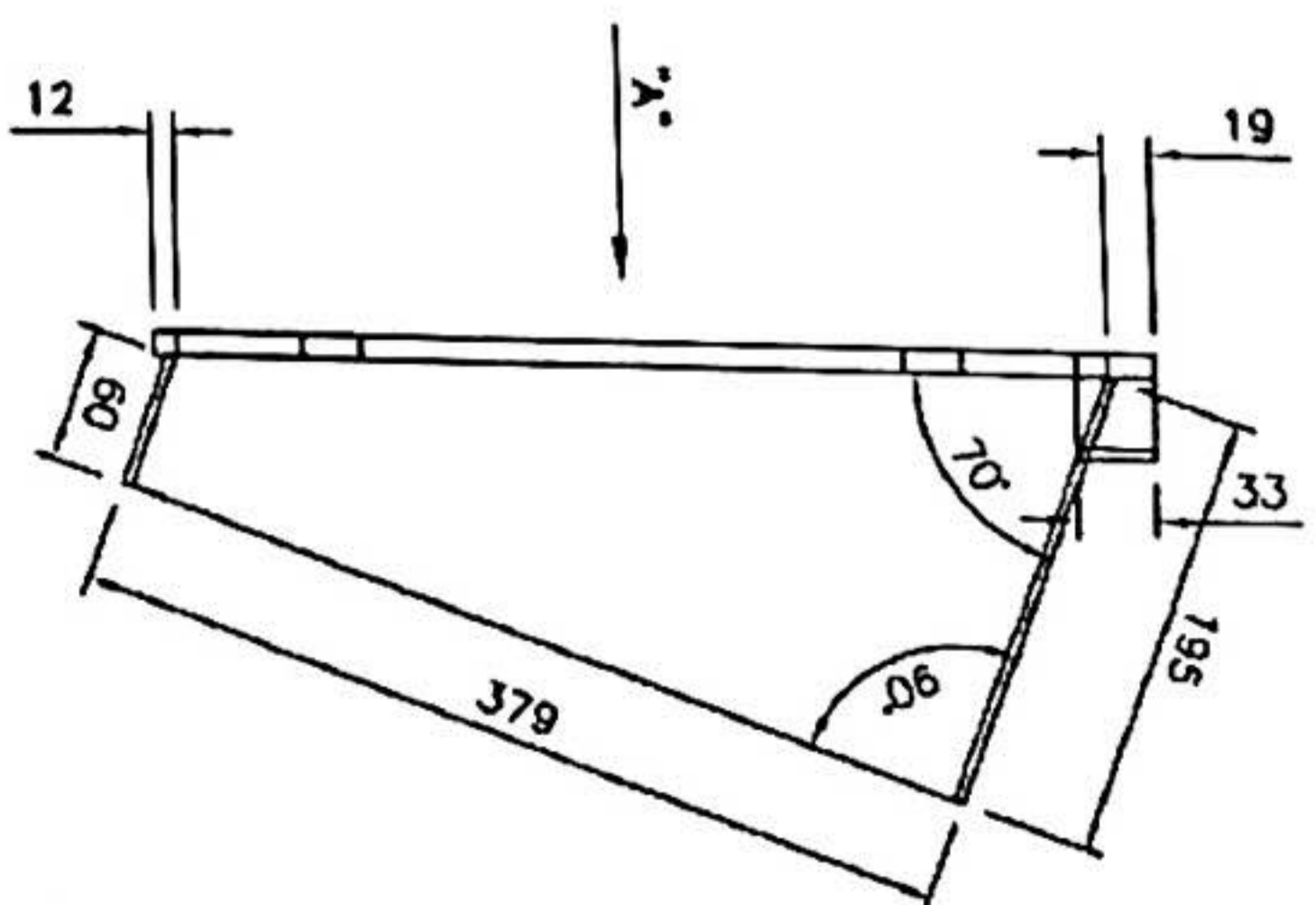


FLANGE DETAIL 9.5mm ALLOY

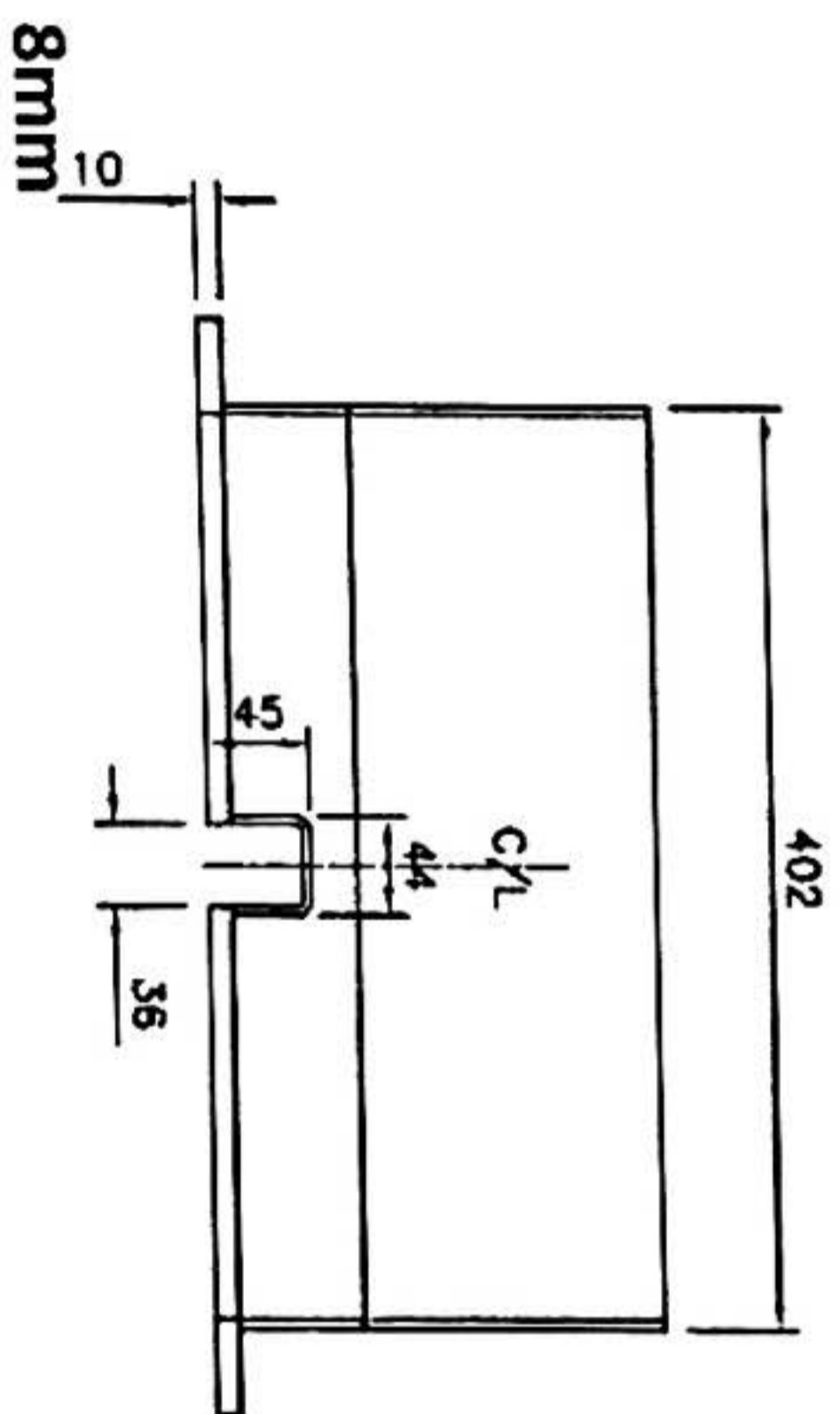
FABRICATED FLANGE



VIEW ARROW "A"



HATCH SIZE	DIM "A"	DIM "B"	SOCK CIRCUMFERENCE
400 SQ	401	402	1562



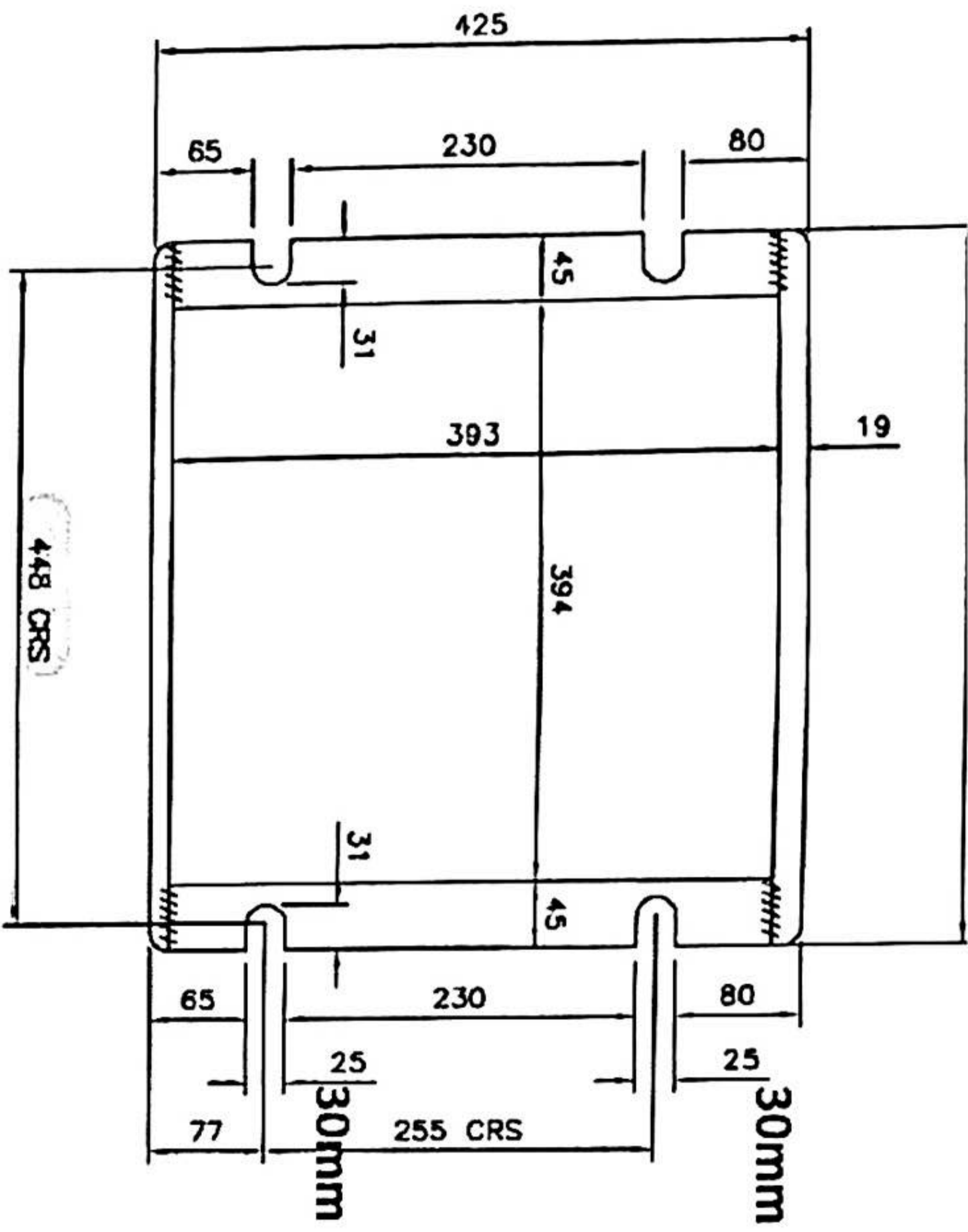
MANUFACTURE FROM 4mm ALLOY

P.P.G. LTD

DUST BOX DETAIL TO SUIT FRUEHAUF GRAIN HATCH SIZES

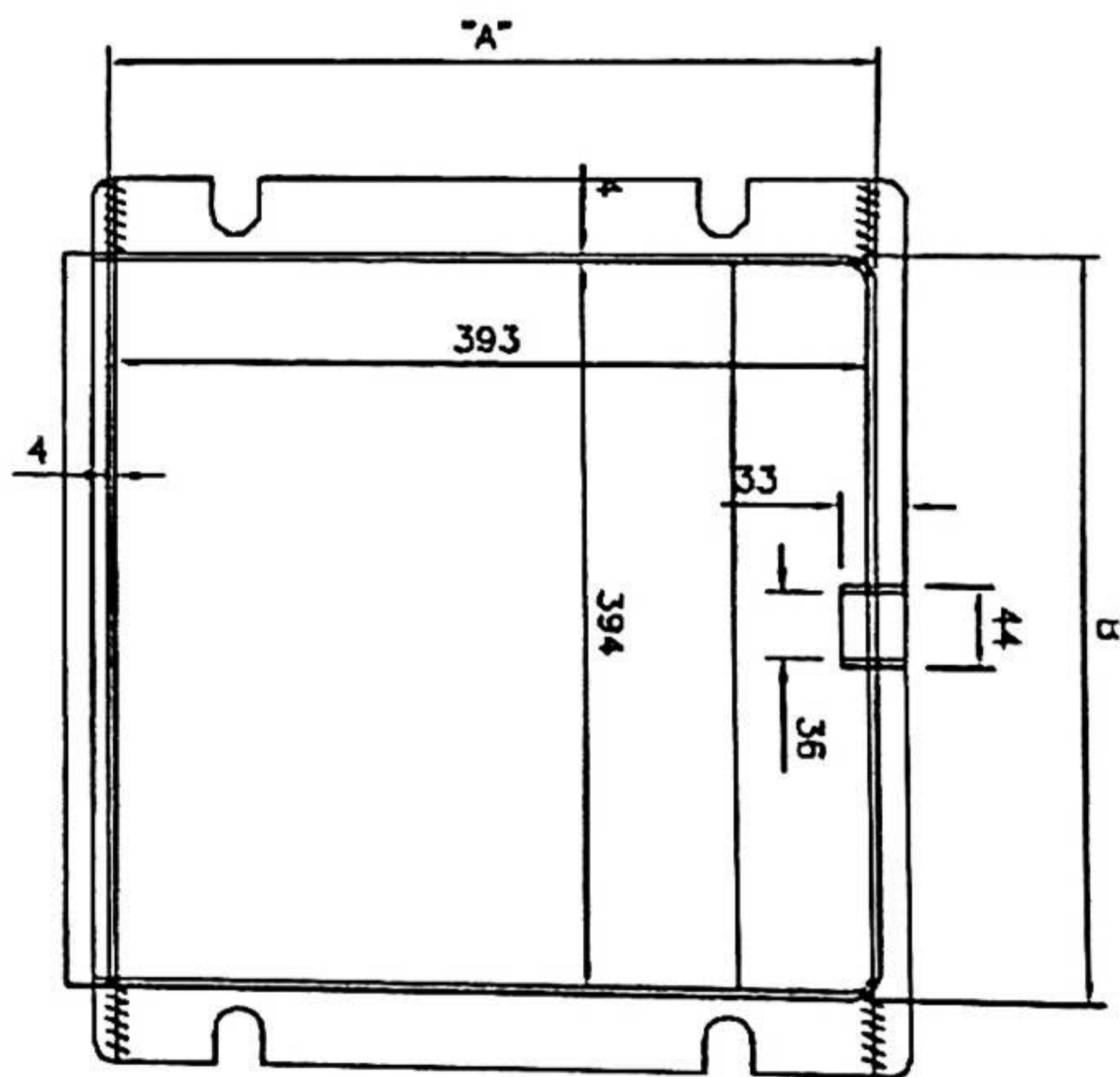
DRN	B. BROWN
DATE	24/9/10
SCALE	1:5

JOB No	P.P.G. 680
DRG No.	A3
ISS	SD8008-1

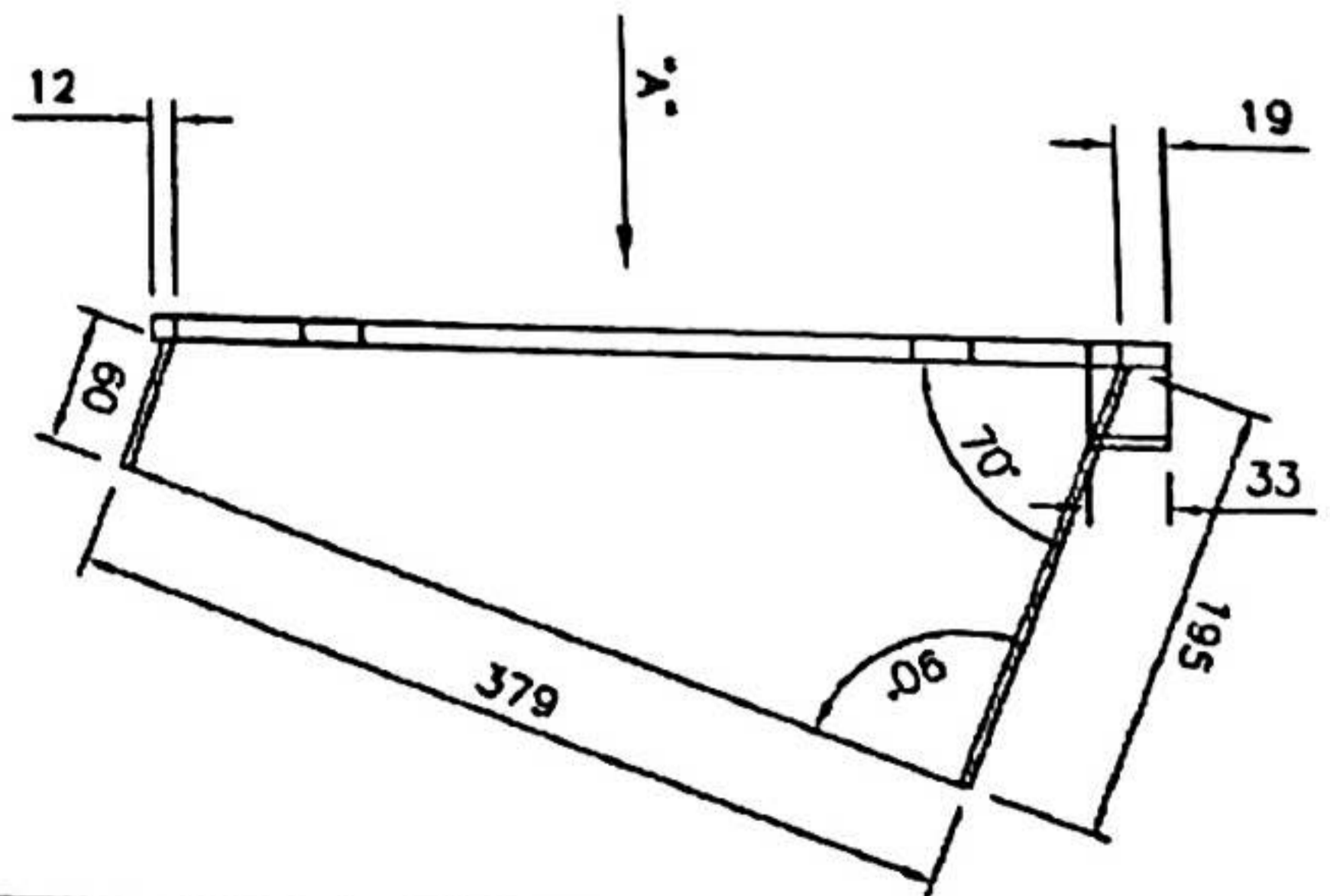


FLANGE DETAIL 9.5mm ALLOY

FABRICATED FLANGE

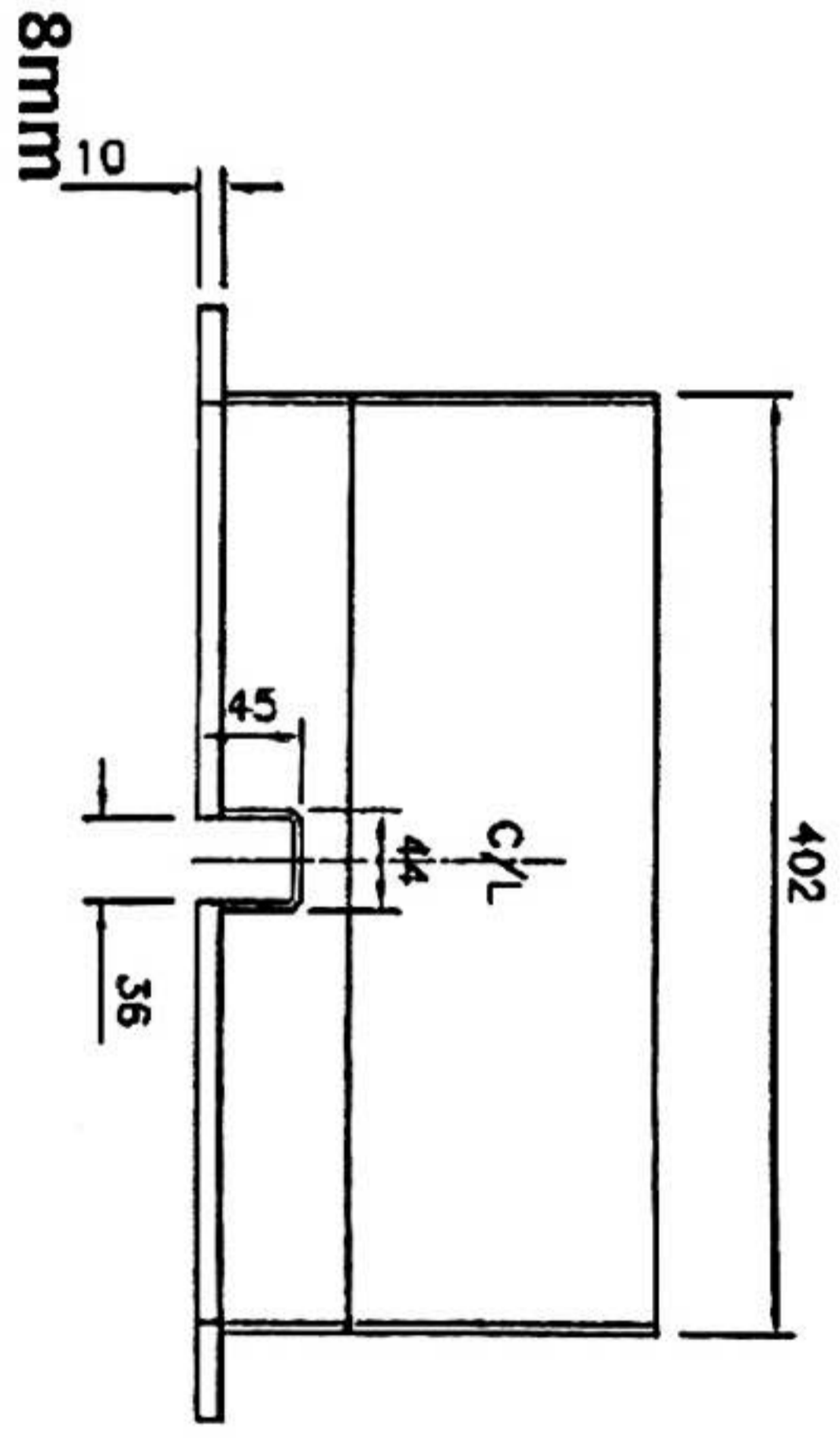


VIEW ARROW "A"



HATCH SIZE	DIM "A"	DIM "B"	SOCK CIRCUMFERENCE
400 SQ	401	402	1562

MANUFACTURE FROM 4mm ALLOY

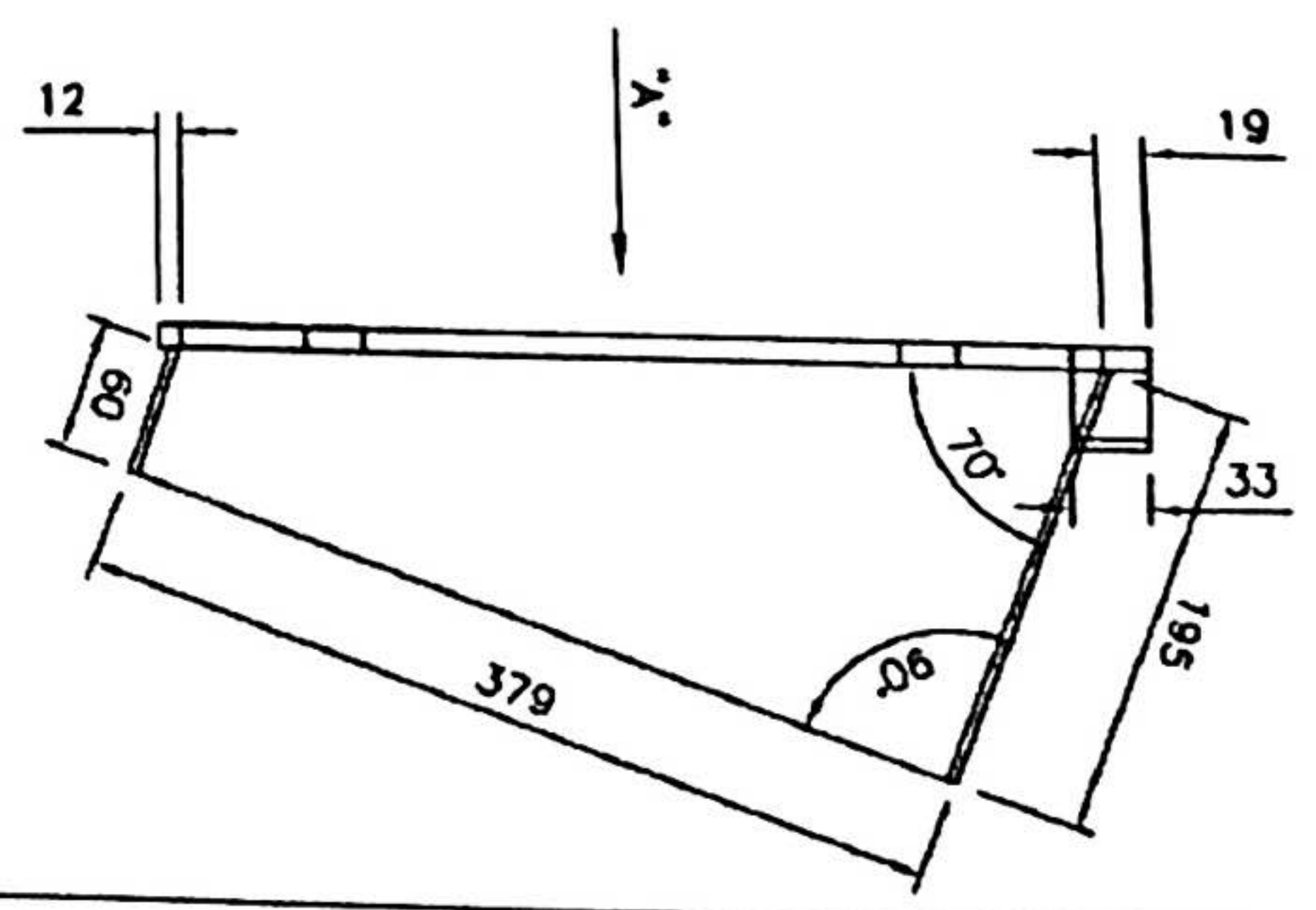
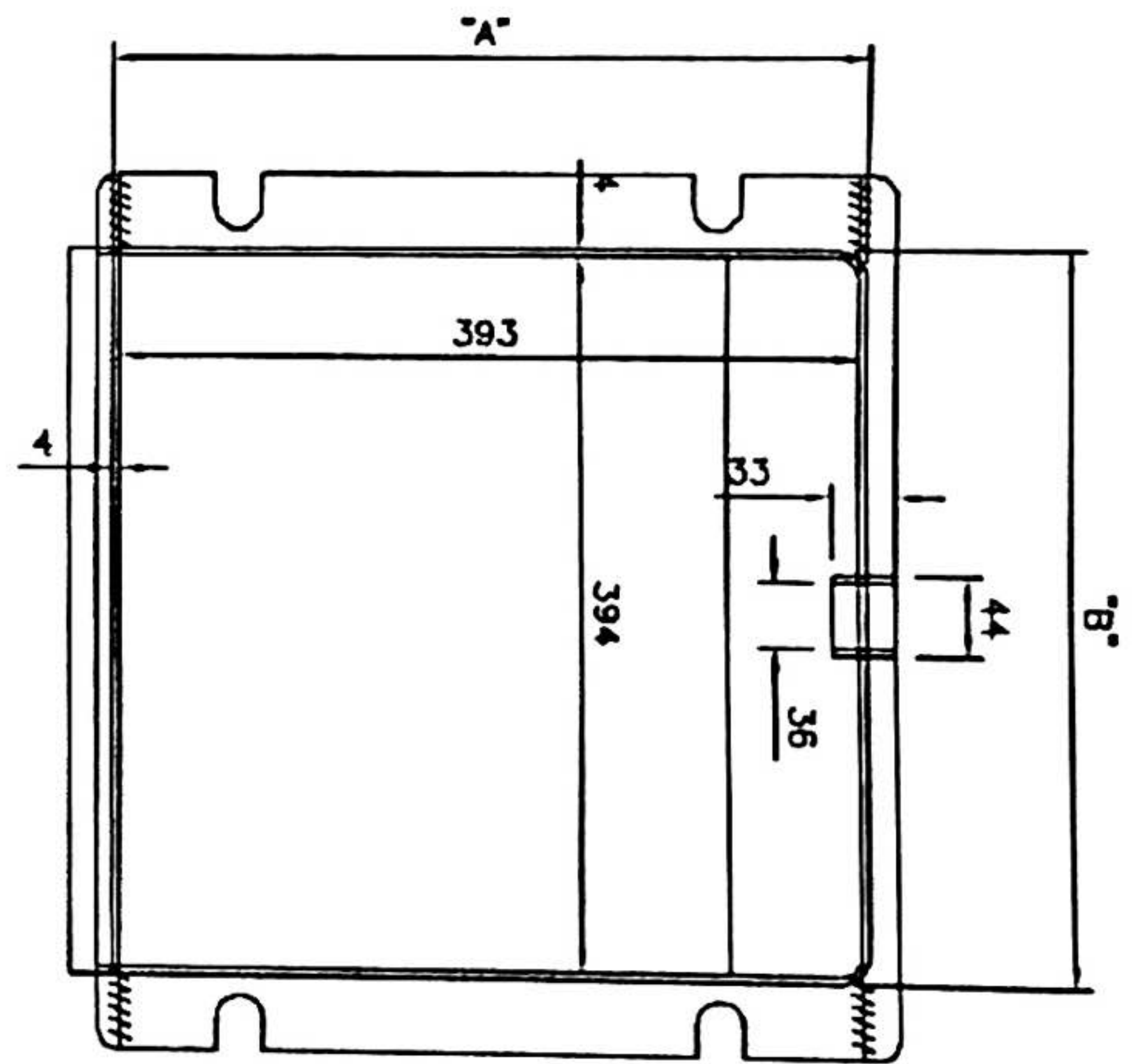
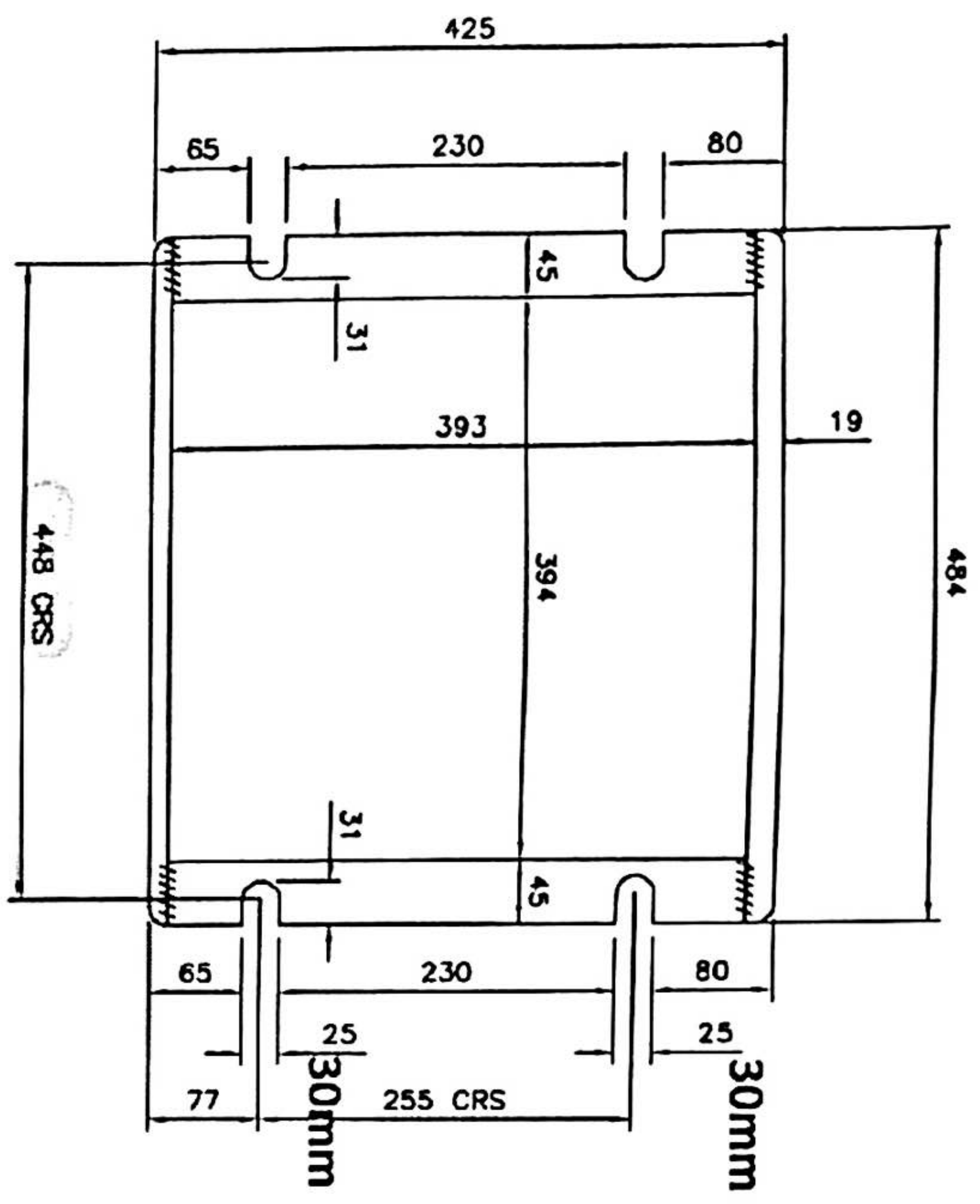


P.P.G. LTD

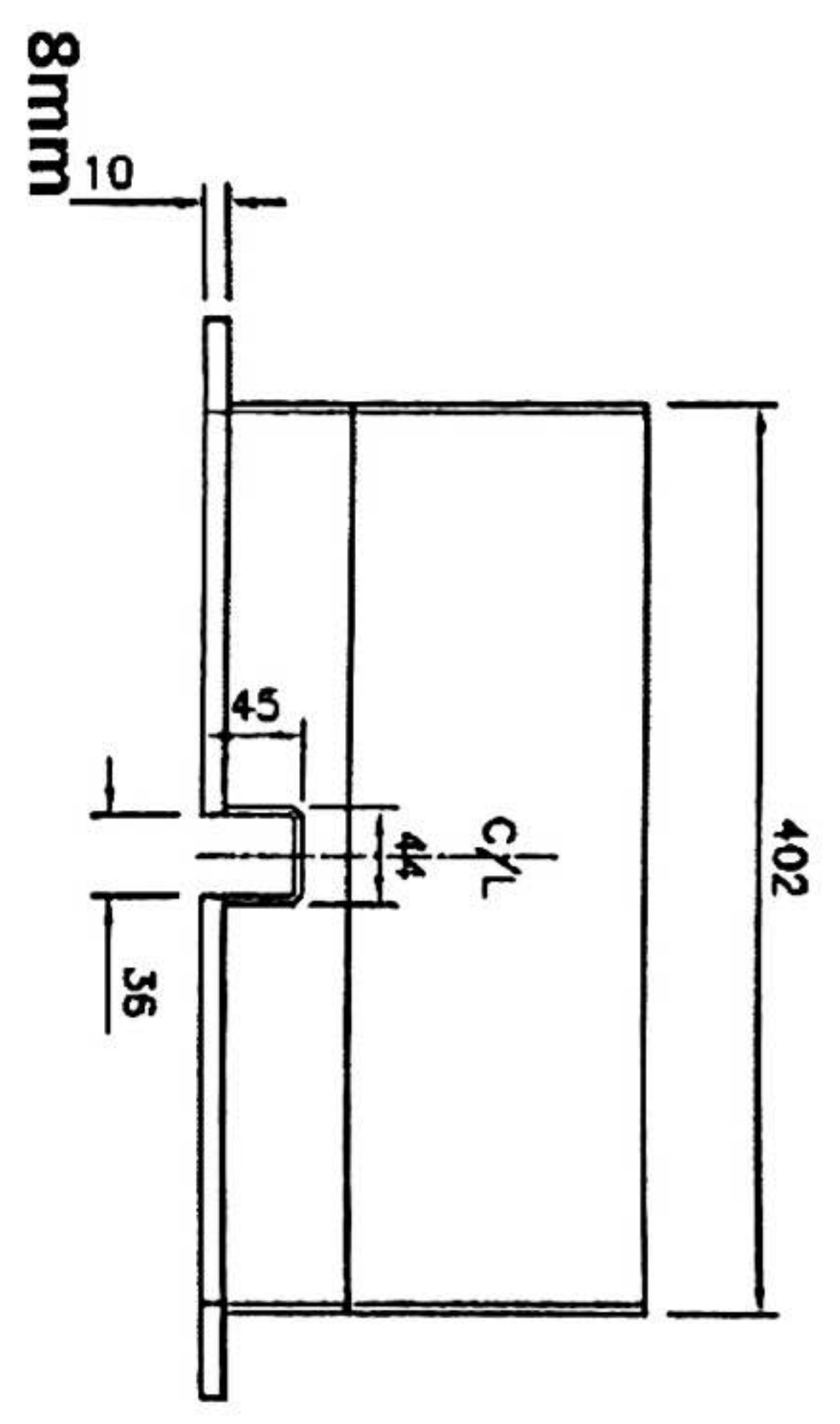
DUST BOX DETAIL TO SUIT FRUEHAUF GRAIN HATCH SIZES

DRN	B. BROWN
DATE	24/9/10
SCALE	1:5

JOB No.	P.P.G. 680
DRG No.	A3
ISS	SD8008-1



HATCH SIZE	DIM "A"	DIM "B"	SOCK CIRCUMFERENCE
400 SQ	401	402	1562

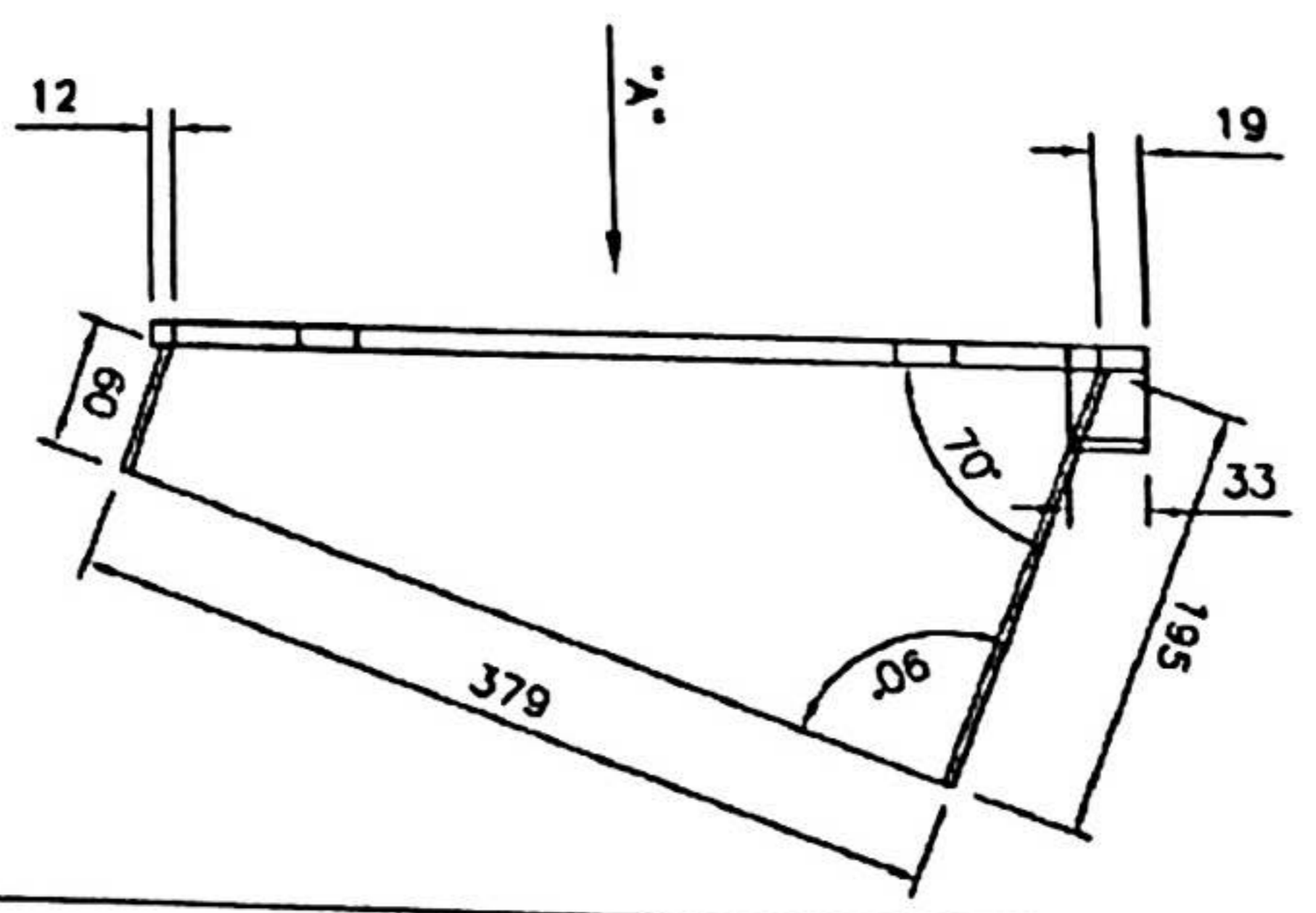
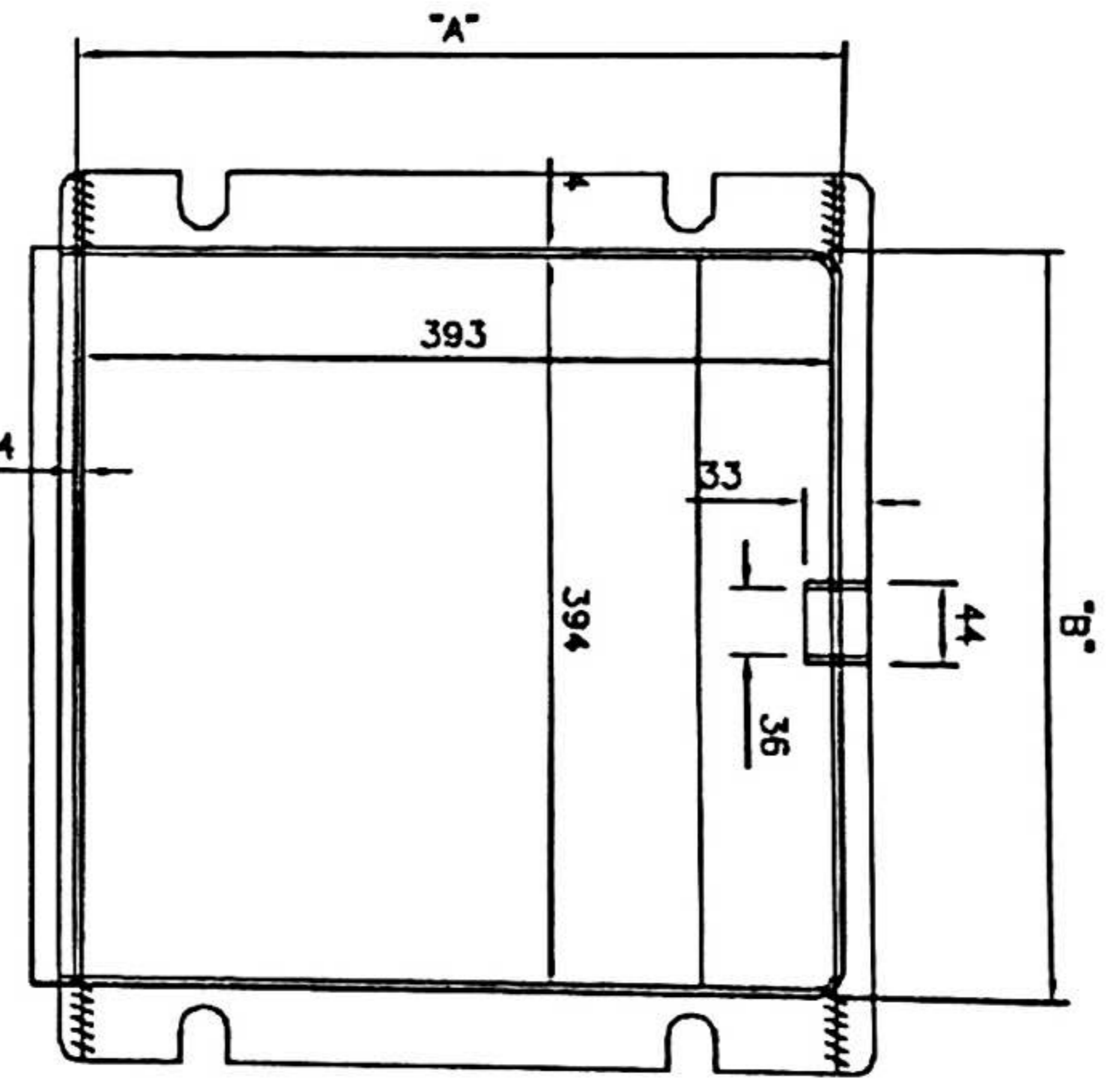
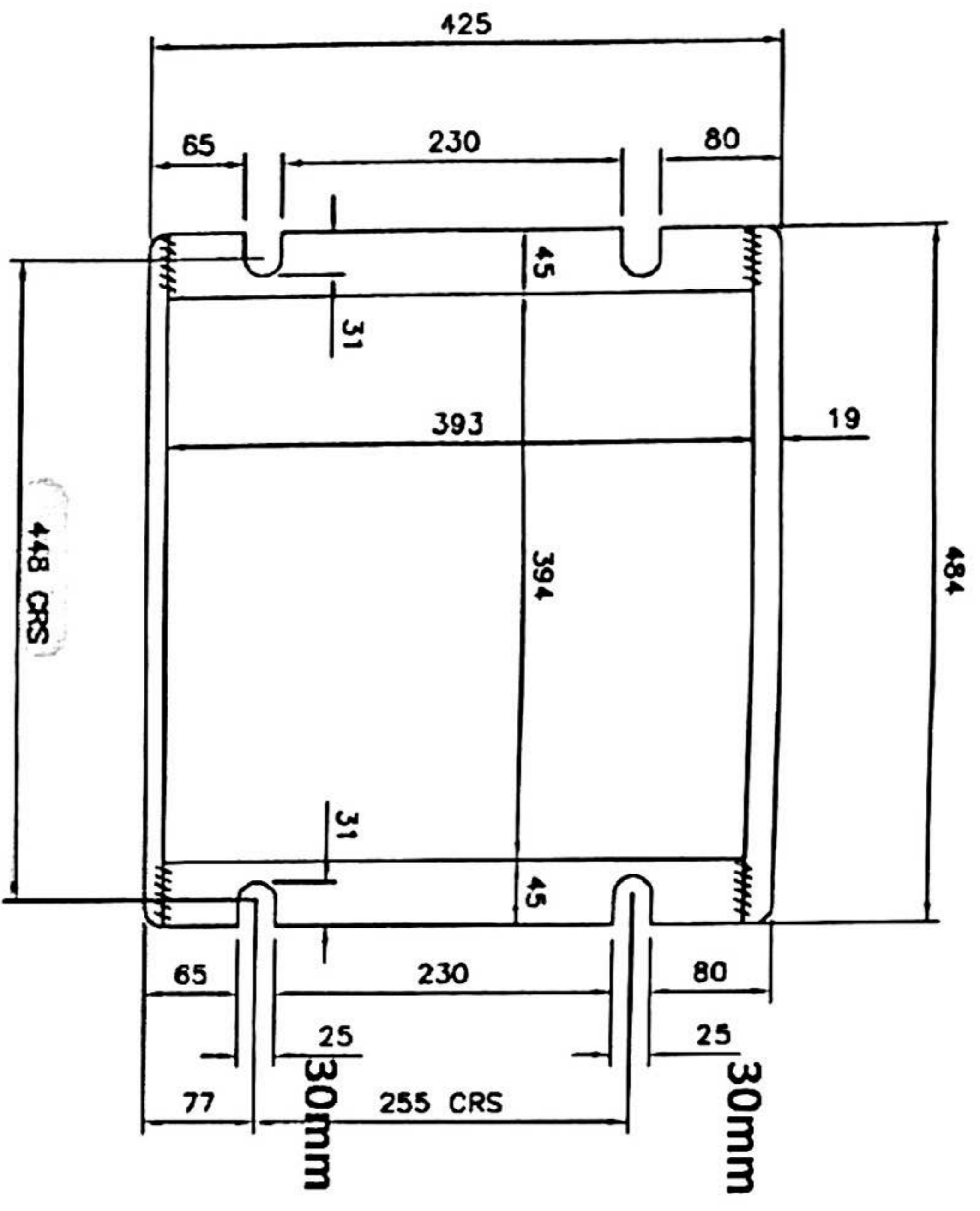


P.P.G. LTD

DUST BOX DETAIL TO SUIT FRUEHAUF GRAIN HATCH SIZES

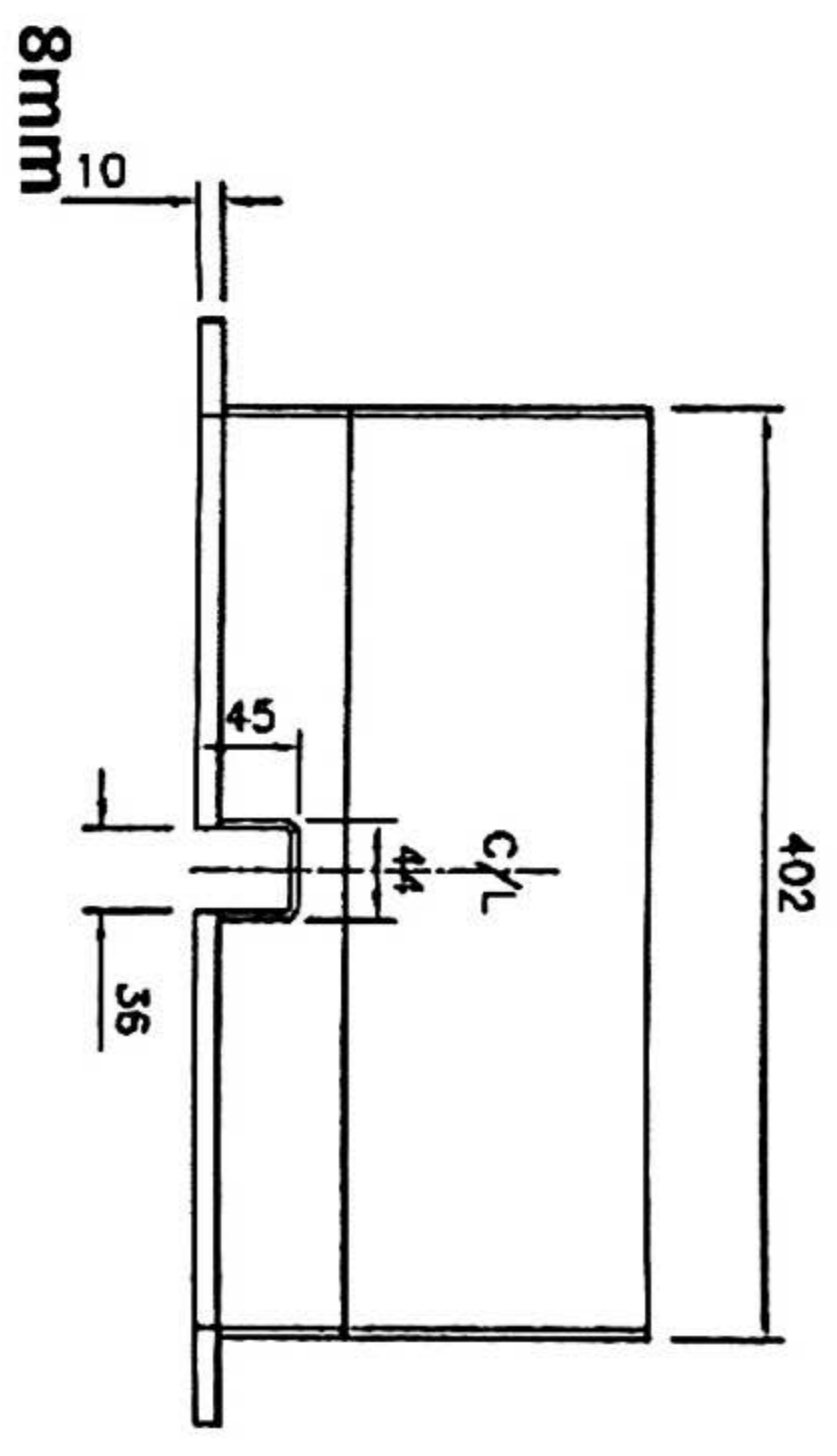
DRN	B. BROWN
DATE	24/9/10
SCALE	1:5

JOB No	P.P.G. 680
DRG No.	A3
ISS	SD8008-1



FABRICATED FLANGE  
 FLANGE DETAIL 9.5mm ALLOY

HATCH SIZE	DIM "A"	DIM "B"	SOCK CIRCUMFERENCE
400 SQ	401	402	1562



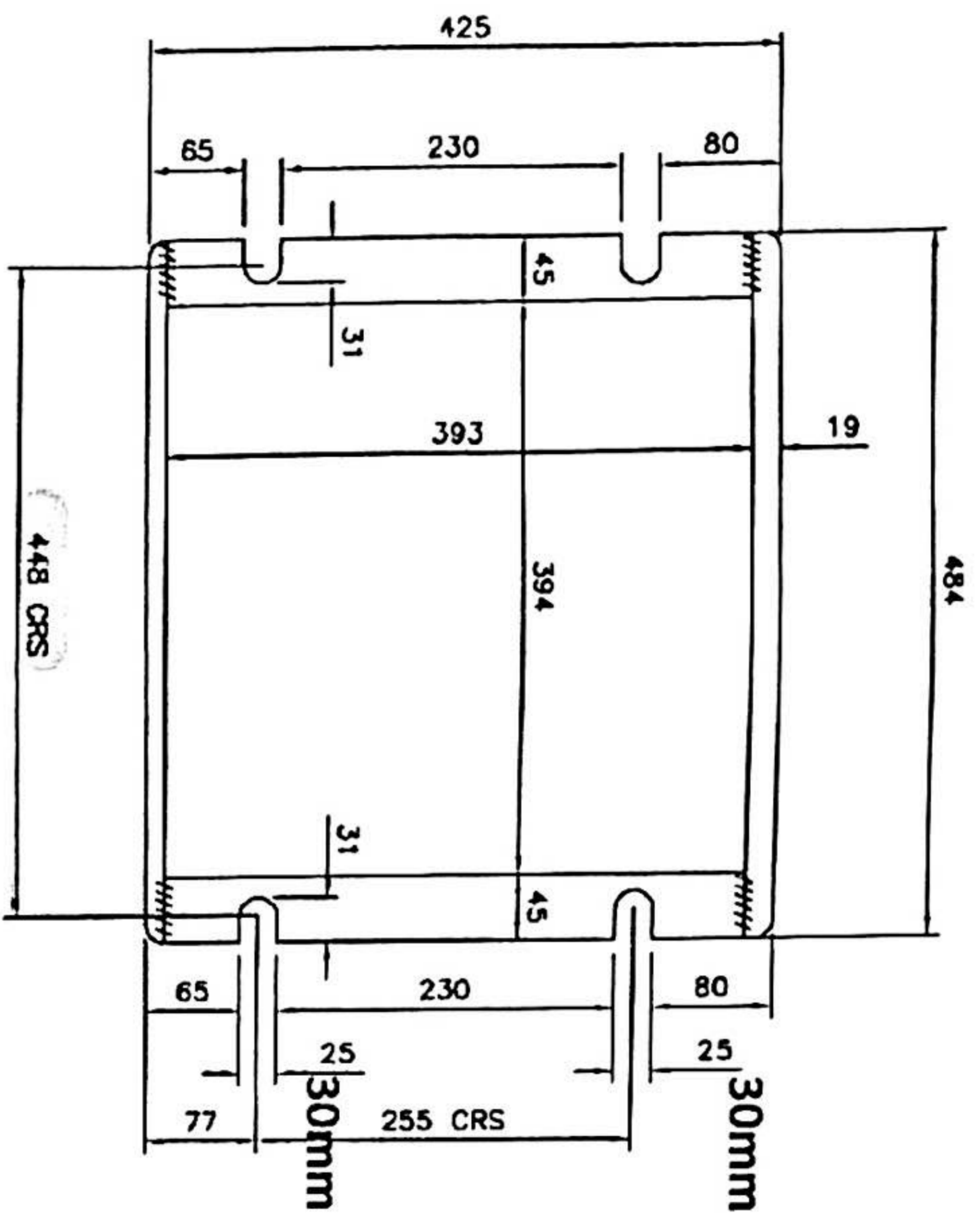
MANUFACTURE FROM 4mm ALLOY

P.P.G. LTD

DUST BOX DETAIL TO SUIT FRUEHAUF GRAIN HATCH SIZES

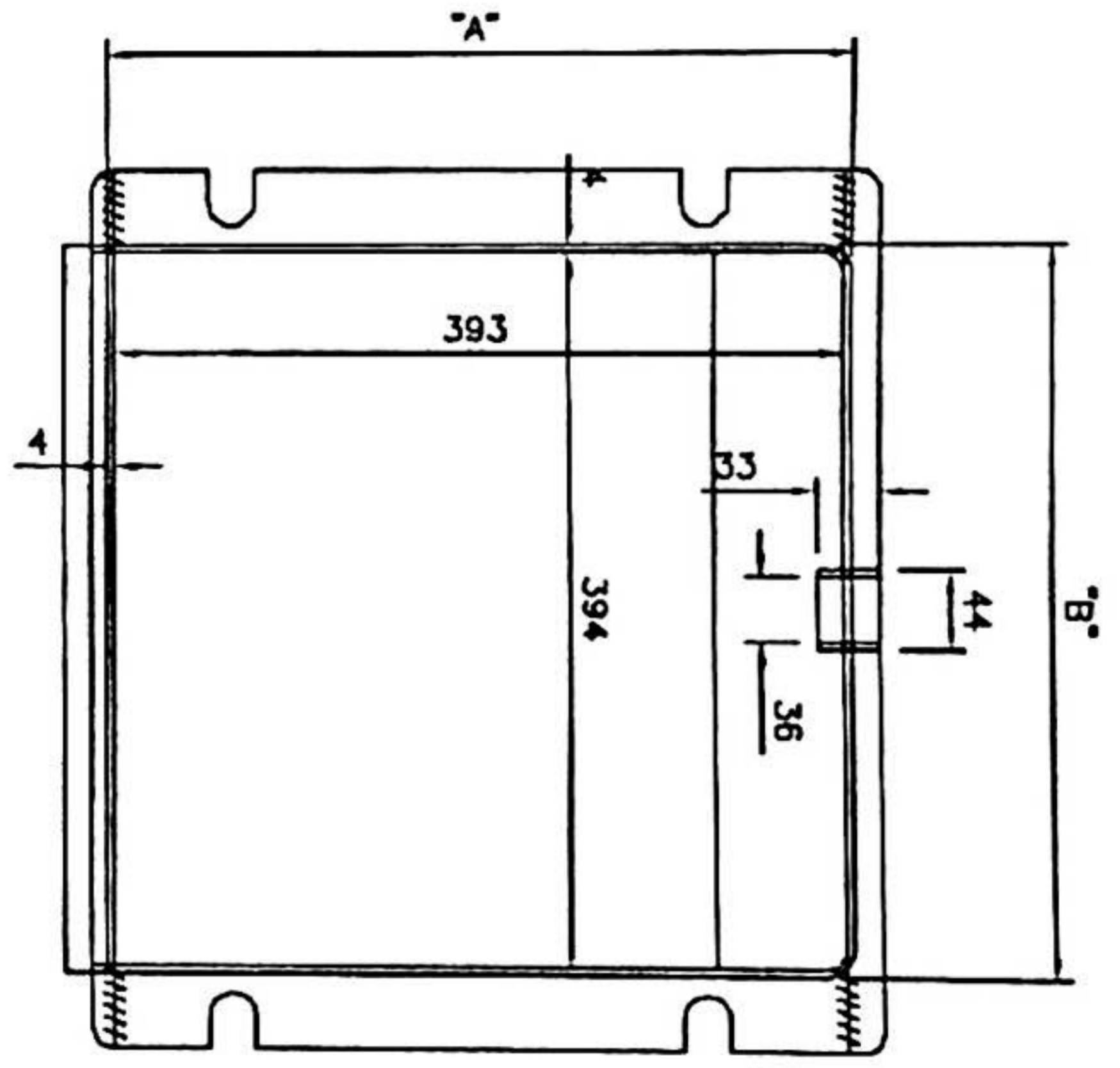
DRN	B. BROWN	JOB No	P.P.G. 680
DATE	24/9/10	DRG No.	A3
SCALE	1:5		ISS

SD8008-1

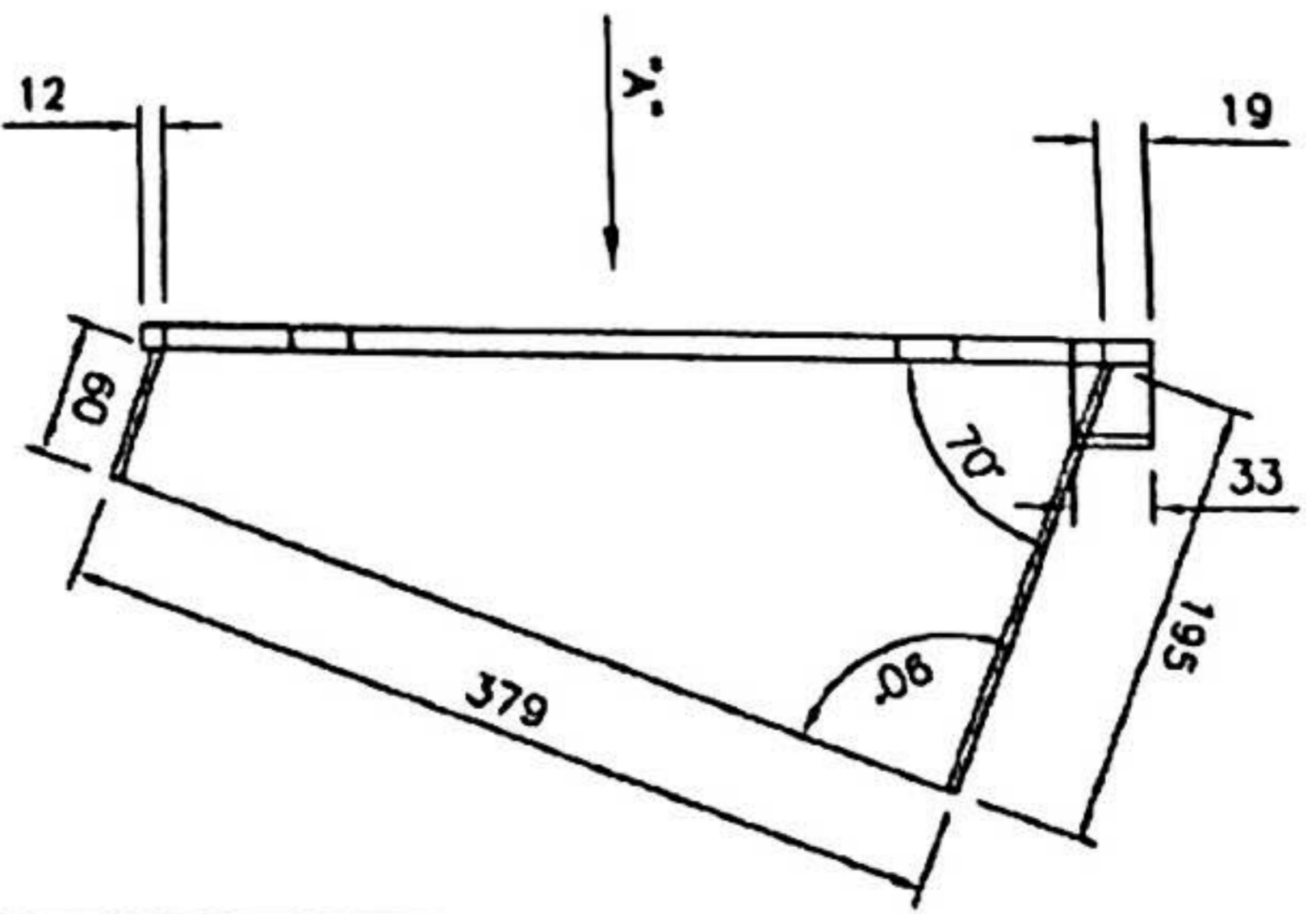


FLANGE DETAIL 9.5mm ALLOY

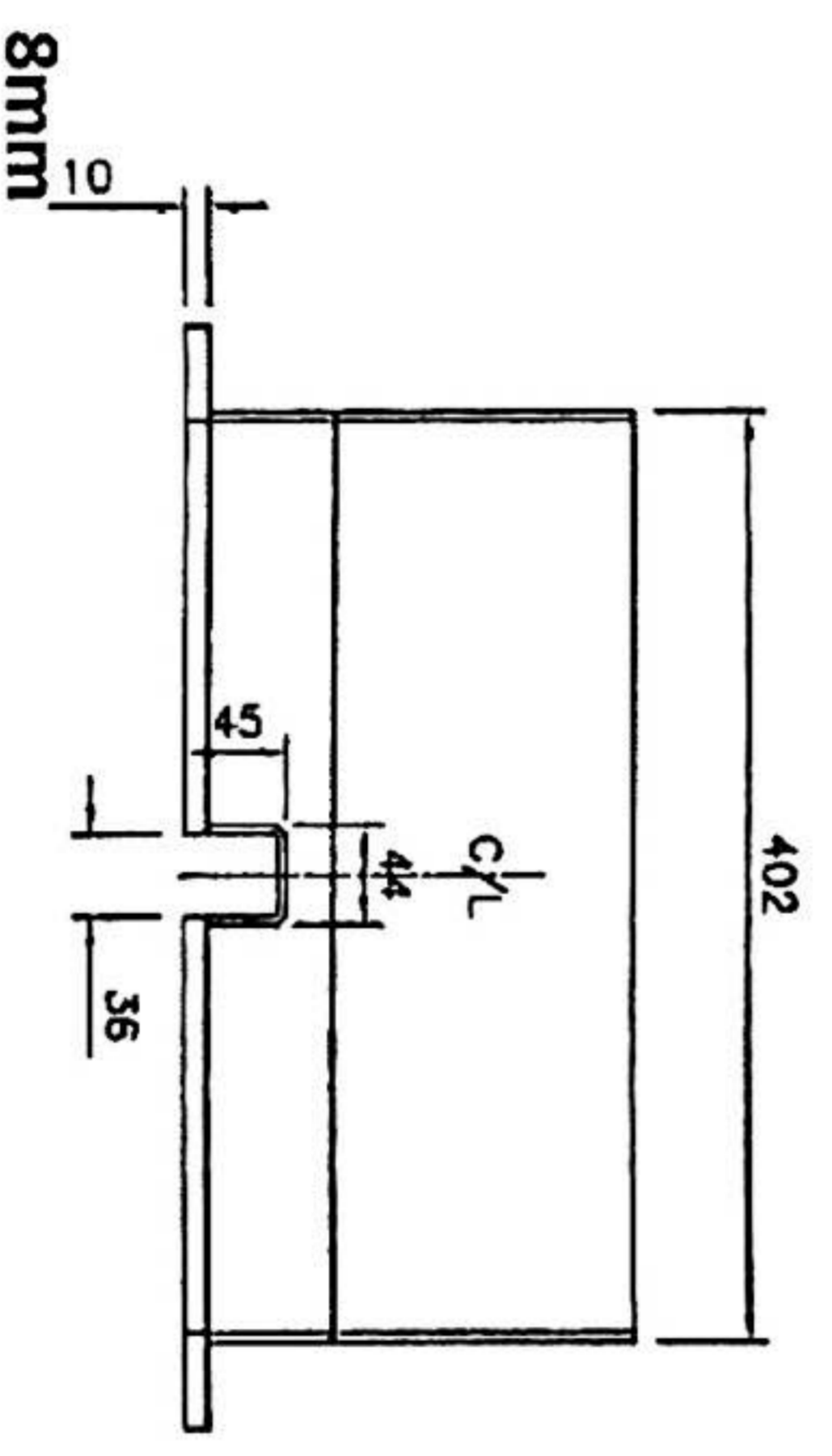
FABRICATED FLANGE



VIEW ARROW "A"



HATCH SIZE	DIM "A"	DIM "B"	SOCK CIRCUMFERENCE
400 SQ	401	402	1562



MANUFACTURE FROM 4mm ALLOY

P.P.G. LTD

DUST BOX DETAIL TO SUIT FRUEHAUF GRAIN HATCH SIZES

DRN	B. BROWN
DATE	24/9/10
SCALE	1:5

JOB No.	P.P.G. 680
DRG No.	A3
ISS	SD8008-1