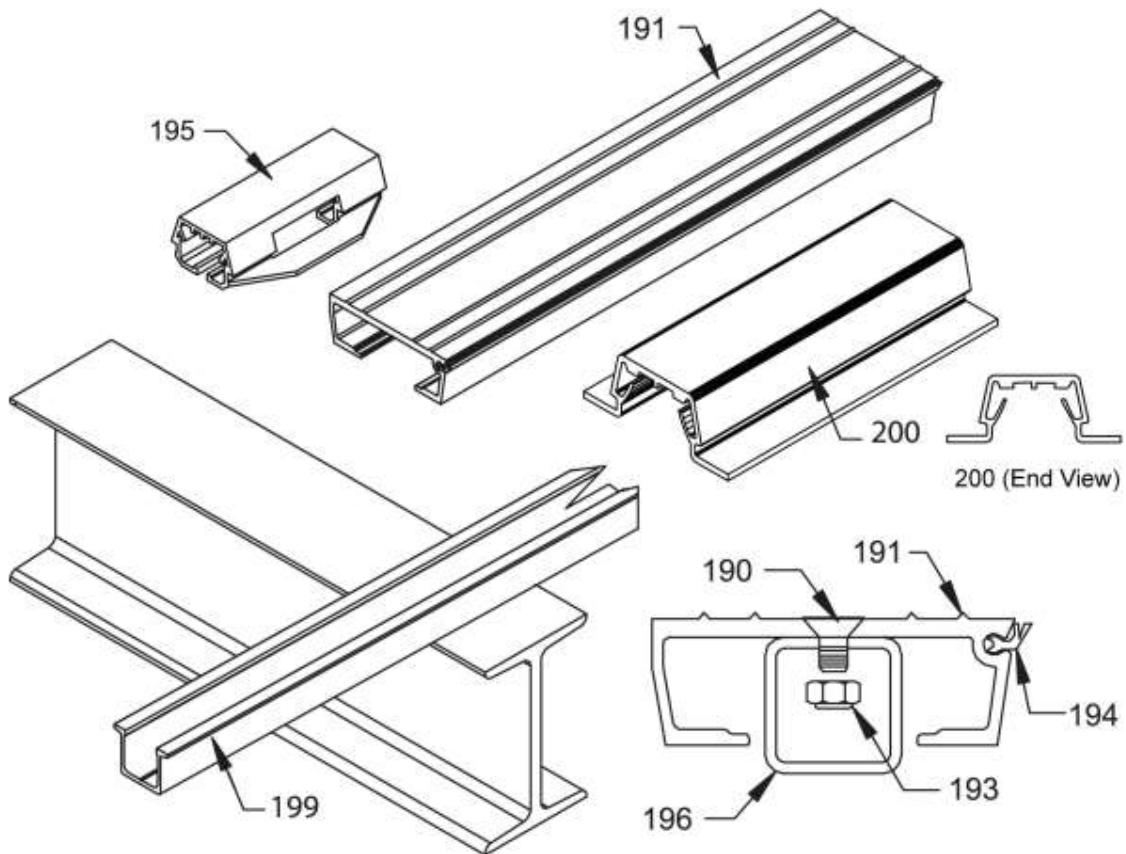


Floor Components



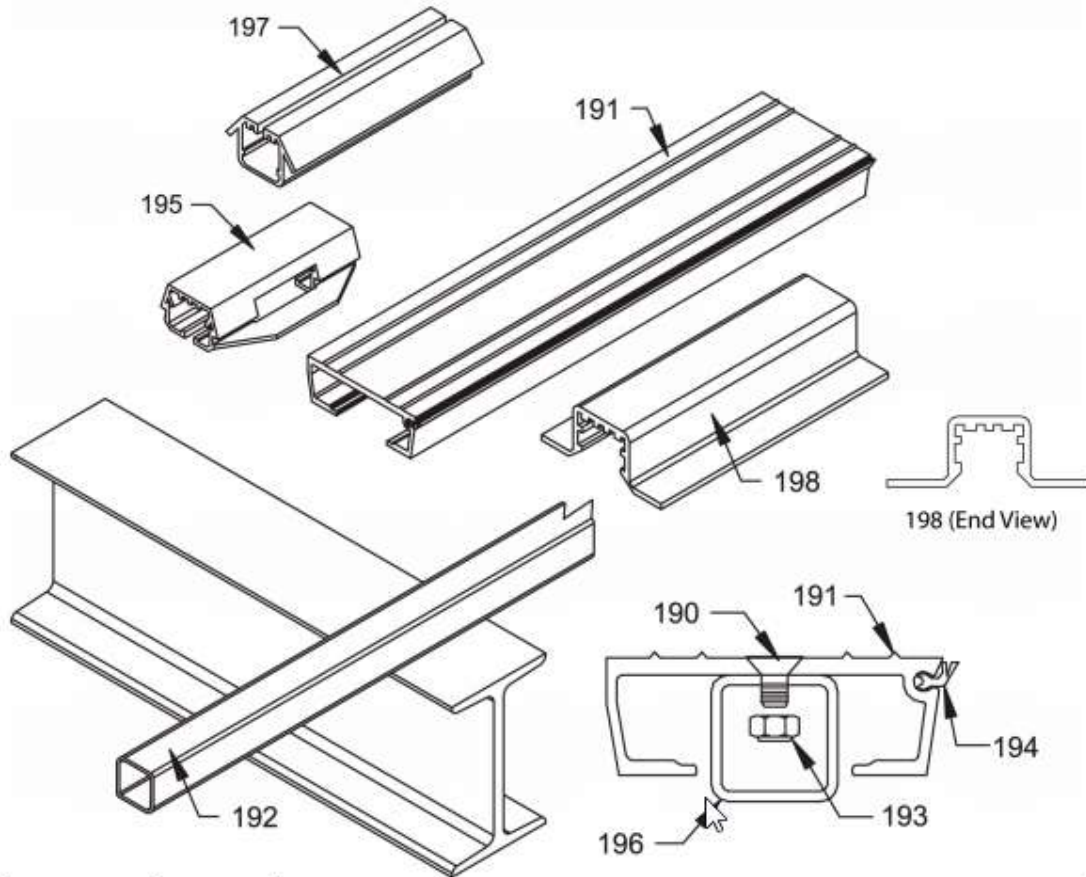
ID #	QUANTITY	DESCRIPTION
FLOOR COMPONENTS		
-	-	FLOOR COMPONENTS
-	-	Includes items 190, 191, 193-197, 199, 200
190 ⁽¹⁾	-	Bolt Hex GR5 5/16"x 2 1/4"
191 ⁽¹⁾	-	Slat 3.5" 2295 1/2" Impact® Series 1212
193 ⁽¹⁾	-	Nut Hex Nylock 5/16"
194 ⁽¹⁾	-	Seal Floor Bent "Y"
195 ⁽¹⁾	-	Bearing 3.5" Floor Slat
196 ⁽¹⁾	-	Drive Shoe
199 ⁽¹⁾⁽²⁾	-	2469 Aluminum Channel
198 ⁽¹⁾	-	Splash Guard Hold-Down Bearing

(1) Part numbers and descriptions vary based on trailer width and application.

(2) Channel is also available in 44' lengths (8224694400) and 48' lengths (8224694800)

* The last four digits in a ten part number refers to length in feet and inches (Example 8222954305 is 43'05" long).

Floor Components



ID #	QUANTITY	DESCRIPTION
FLOOR COMPONENTS		
-	-	FLOOR COMPONENTS
-	-	Includes items 190-198
190 ⁽¹⁾	-	Bolt Hex GR5 5/16"x1"
191 ⁽¹⁾	-	Slat 3.5" 2295 1/2" Impact® Series
192 ⁽¹⁾	-	Subdeck 1"x1"x.063"x20' Steel Tube
193 ⁽¹⁾	-	Nut Hex Nylock 5/16"
194 ⁽¹⁾	-	Seal Floor Bent "Y" 1212
195 ⁽¹⁾	-	Bearing 3.5" Floor Slat
196 ⁽¹⁾	-	Drive Shoe
197 ⁽¹⁾	-	Bearing Hold Down 3.5" Floor Slat
198 ⁽¹⁾	-	Splash Guard Bearing (Not Hold-Down)

(1) Part numbers and descriptions vary based on trailer width and application.

* The last four digits in a ten part number refers to length in feet and inches (Example 8222954305 is 43'05" long).