

SURFACE GRAINED
 OBERFLAECHE GENARBT
 SURFACE GRAINEE
 SUPERFICIE GRANULATA
 MT 1055

COLOUR : MIDDLE GRAY
 FARBE : MITTEL GRAU
 COLOR : GRIS MOYEN
 COLORE : GRIGIO MEDIO
 IC 190

OPACITY
 GLANZGRAT
 OPACITE
 OPACITA
 5±1 GLOSS 60°

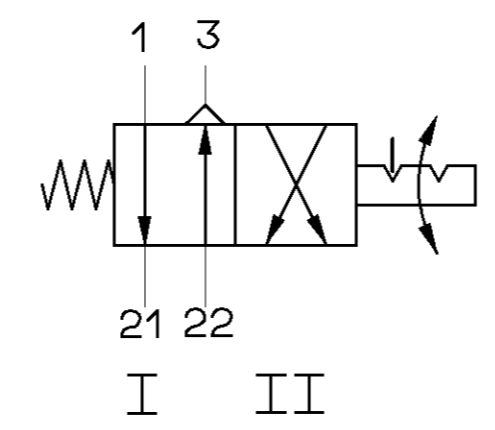
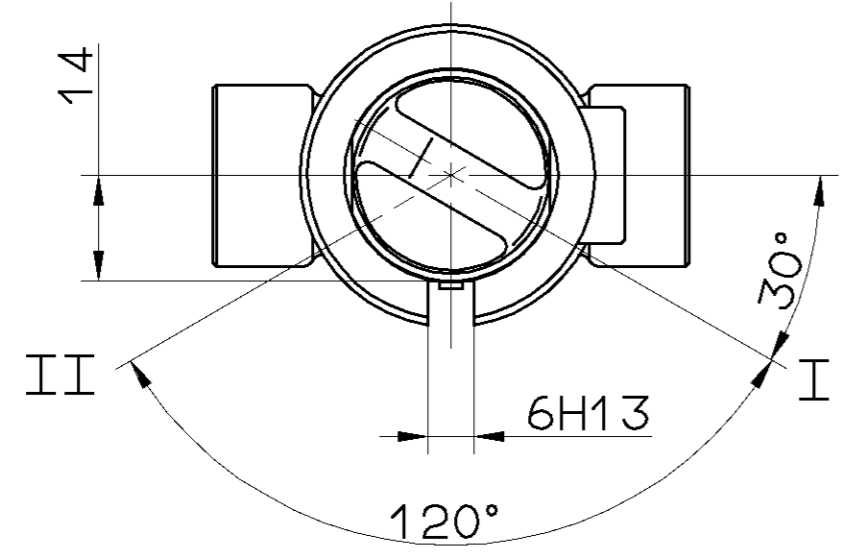
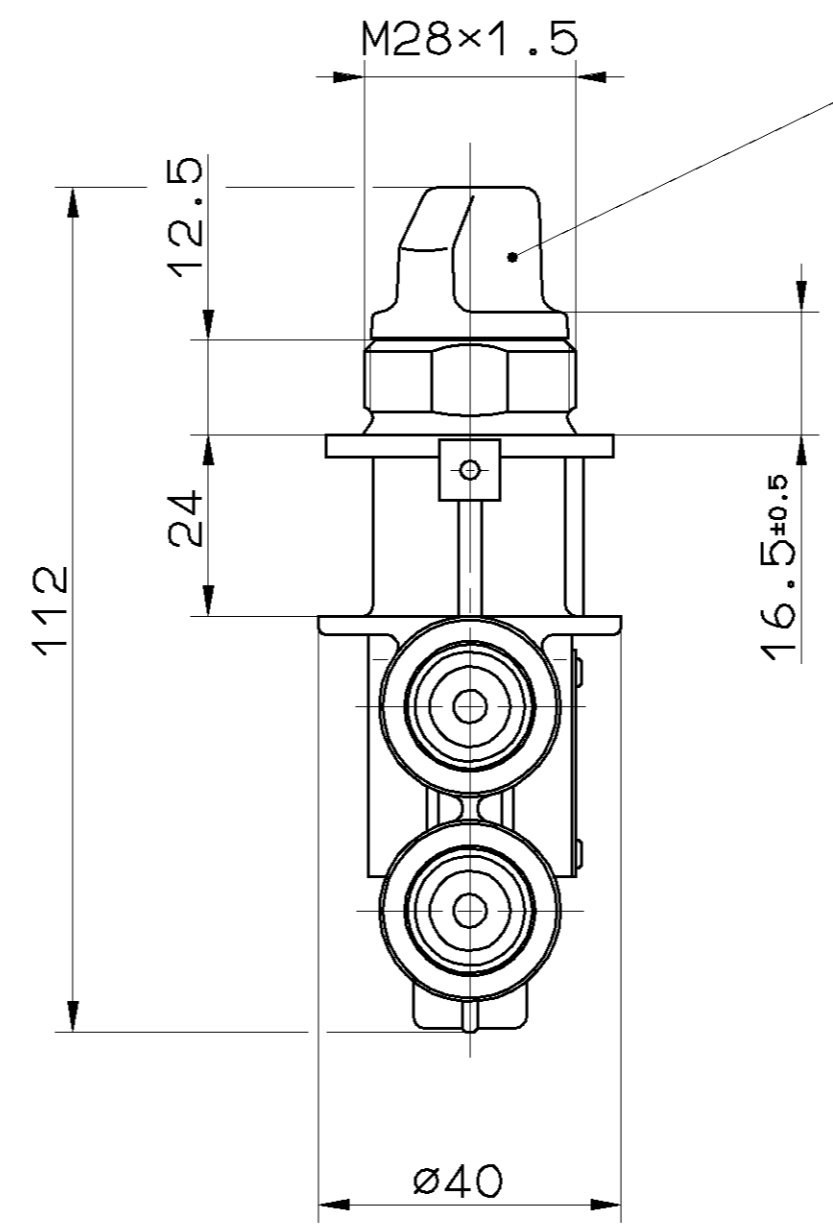
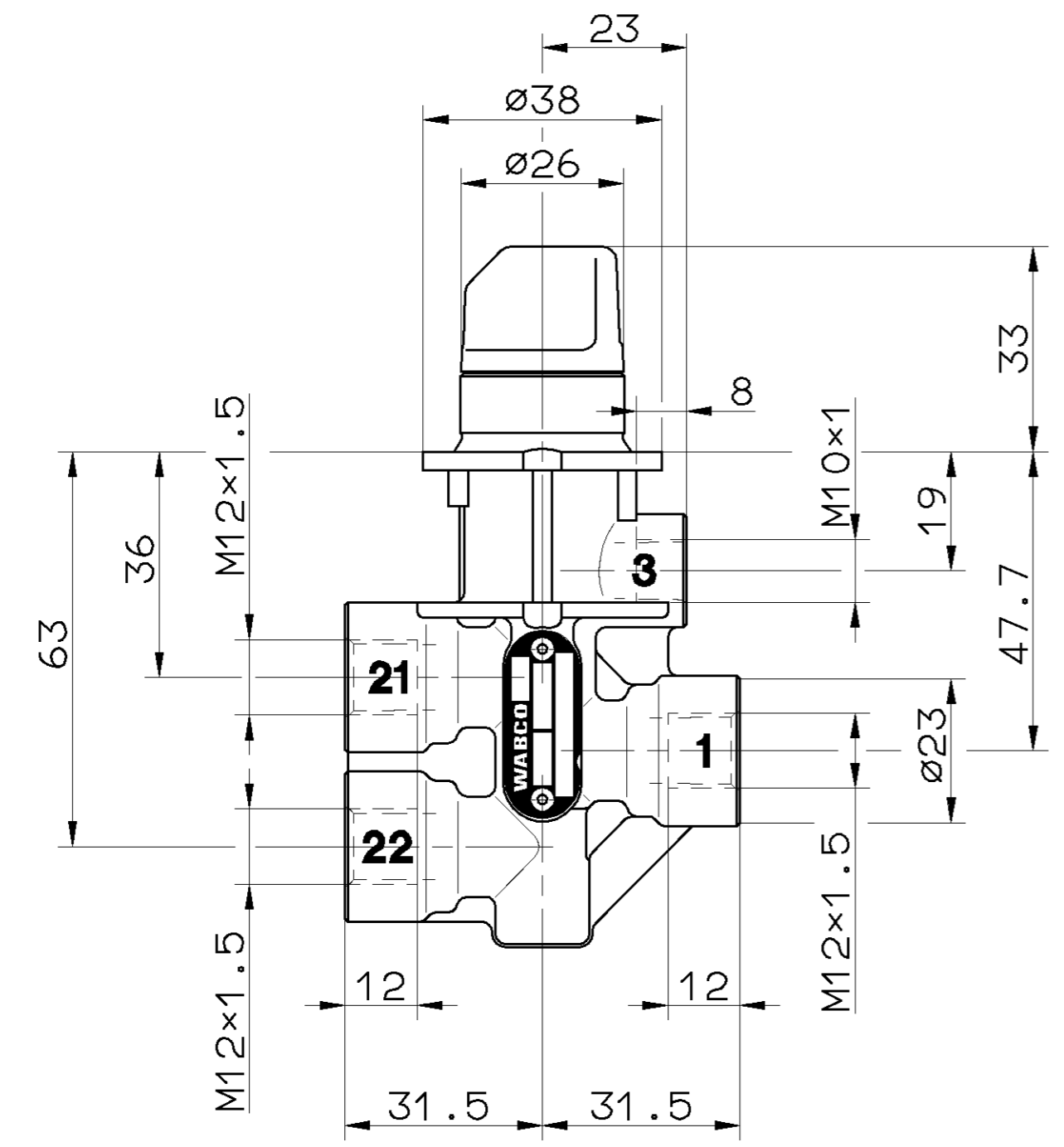
MEDIUM : AIR :
 MEDIUM : LUFT :
 FLUIDE : AIR :
 FLUIDO : ARIA :

OPERATING TORQUE :
 DREHMOMENT ZUR BETAETIGUNG : max. 1.5 Nm
 COUPLE DE COMMANDE :
 COPPIA DI COMANDO :

THERMAL RANGE OF APPLICATION :
 THERMISCHER ANWENDUNGSBEREICH : -40° C ... +80° C
 GAMME D'APPLICATION THERMIQUE :
 CAMPO DI APPLICAZIONE TERMICA :

NOMINAL DIAMETER :
 NENNWEITE : 7 mm² (±0.3)
 DIAMETRE NOMINAL :
 DIAMETRO NOMINALE :

MAX. PERMISSIBLE WORKING PRESSURE :
 MAX. ZULAESSIGER BETRIEBSDRUCK :
 PRESSION D'UTILIZATION MAXI ADMISSIBLE : p_e = 12 bar
 PRESSIONE DI ESERCIZIO MAX. AMMISSIBLE :



1 SUPPLY
 VORRAT
 ALIMENTATION
 ALIMENTAZIONE

21/22 DELIVERY PRESSURE
 AUSGESTEUERTER DRUCK
 PRESSION DELIVREE
 PRESSIONE EROGATA

3 EXHAUST
 ENTLUEFTUNG
 ECHAPPEMENT
 SCARICO

GENERAL SPECIFICATION: JED-334		CADAM-DRAWING COPYRIGHT		WABCO	
FURTHER TECHNICAL DATA:		DATE: 93-09-23		SIGNATURE: VOGES	
DOC. CODE: SHEET: TO:		DRAWN: 93-09-23		CHECKED: DIEKMEYER	
GENERAL TOLERANCES		STANDARDIZATION: 93-09-23		PANTZER	
CLASS 1) RANGE OF NOMINAL DIMENSIONS (± mm)		MASS		SCALE	
FINE		1:1		PRODUCT IDENTIFICATION NO.	
MEDIUM X		KG		463 037 110 0	
COARSE		SIZE		DOC. CODE	
TAPPED HOLES ACC. ISO 4039 / JED-182		T.R.I.		SHEET	
1) TOLERANCE CLASS APPLIED CROSSMARKED		A 2		1/1	
DCN-NO. REV. DATE		A 2		REPLACEMENT FOR	
053535 A 93-09-23		140		463 037 110 0/91-05-15	
EXPERT CODE 7119		SHAPE CODE		PRODUCT TYPE 00X	

NON E' PERMESSO CONSERVARE A TERZI O RIPRODURRE QUESTO DOCUMENTO. NE UTILIZZARE IL CONTENUTO O RES-
 ERVARE I DIRITTI DI PROPRIETA' IN TUTTI I CASI. IL RENDIMENTO DEL MODELLO E' FANTASMA. E' FATTA RISERVA DA TUTTI I DIRITTI RESERVATI DA
 BREVETTI O MODELLI.
 COPIING OF THIS DOCUMENT AND GIVING IT TO OTHERS AND THE USE OF COMMUNICATION OF THE CONTENTS THEREOF,
 WITHOUT THE WRITTEN PERMISSION OF WABCO, IS PROHIBITED. ALL RIGHTS ARE RESERVED IN THE EVENT OF THE
 ABUSE AND RESULT IN A LIABILITY TO THE PAYMENT OF DAMAGES. ALL RIGHTS ARE RESERVED IN THE EVENT OF THE
 MISBRACH USE AND RESULT IN A LIABILITY TO THE PAYMENT OF DAMAGES. ALL RIGHTS ARE RESERVED IN THE EVENT OF THE
 GRANT OF PATENT OR REGISTRATION OF A UTILITY MODEL OR DESIGN. THIS DOCUMENT IS THE SUBJECT OF COPYRIGHT.