

# 9000 PARTS CATALOGUE



Shur-Co<sup>®</sup>, LLC DONOVAN of the UK

*"One Company, Two Brands, Infinite Possibilities"*

Catalogue valid from:

November 2021

## Shur-Co<sup>®</sup> UK Limited

### Address:

Unit 41 & 43 Laker Road  
Rochester Airport Estate  
Rochester, Kent, ME1 3QX  
United Kingdom

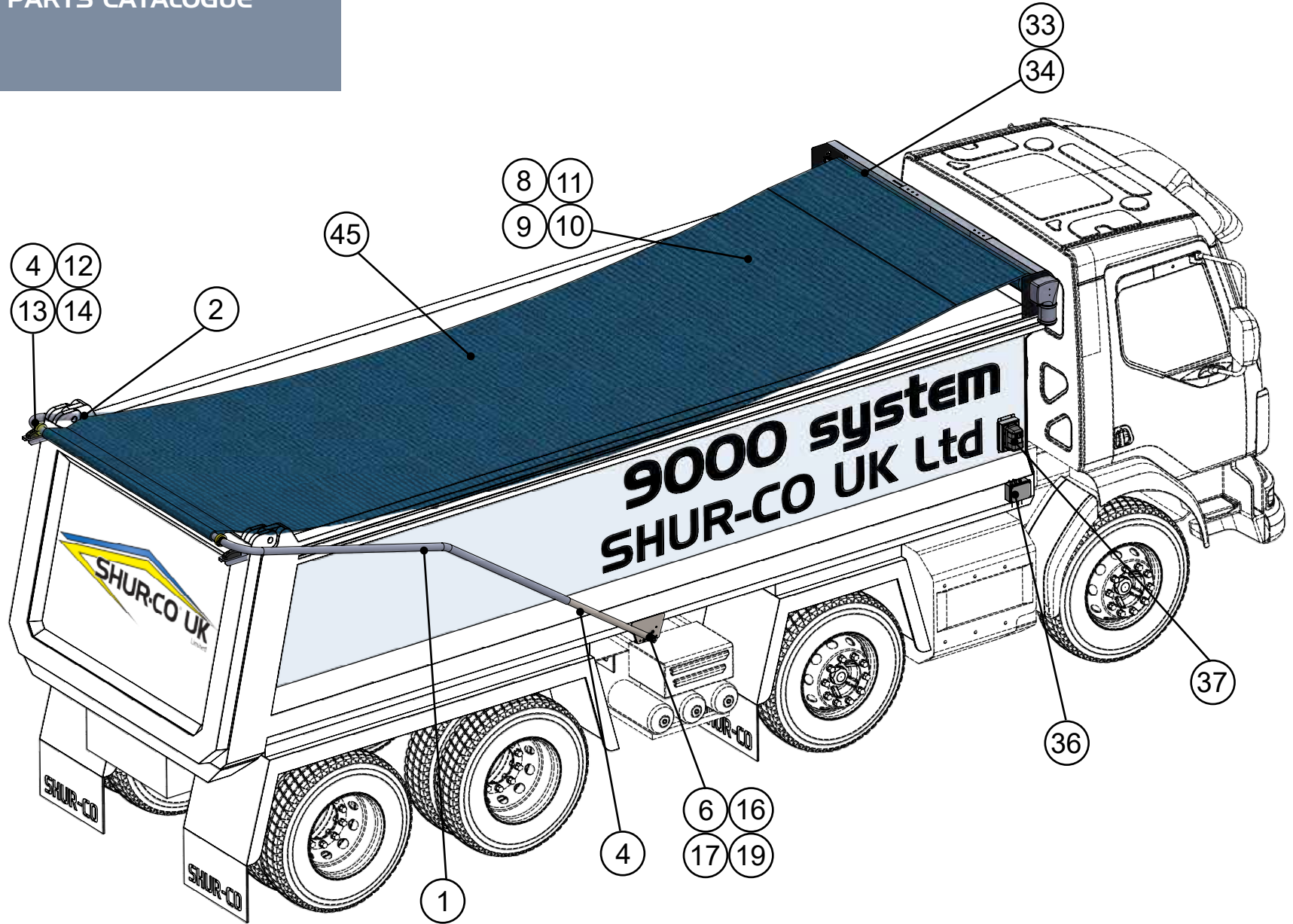
### Phone:

(+44) 01634 862 363

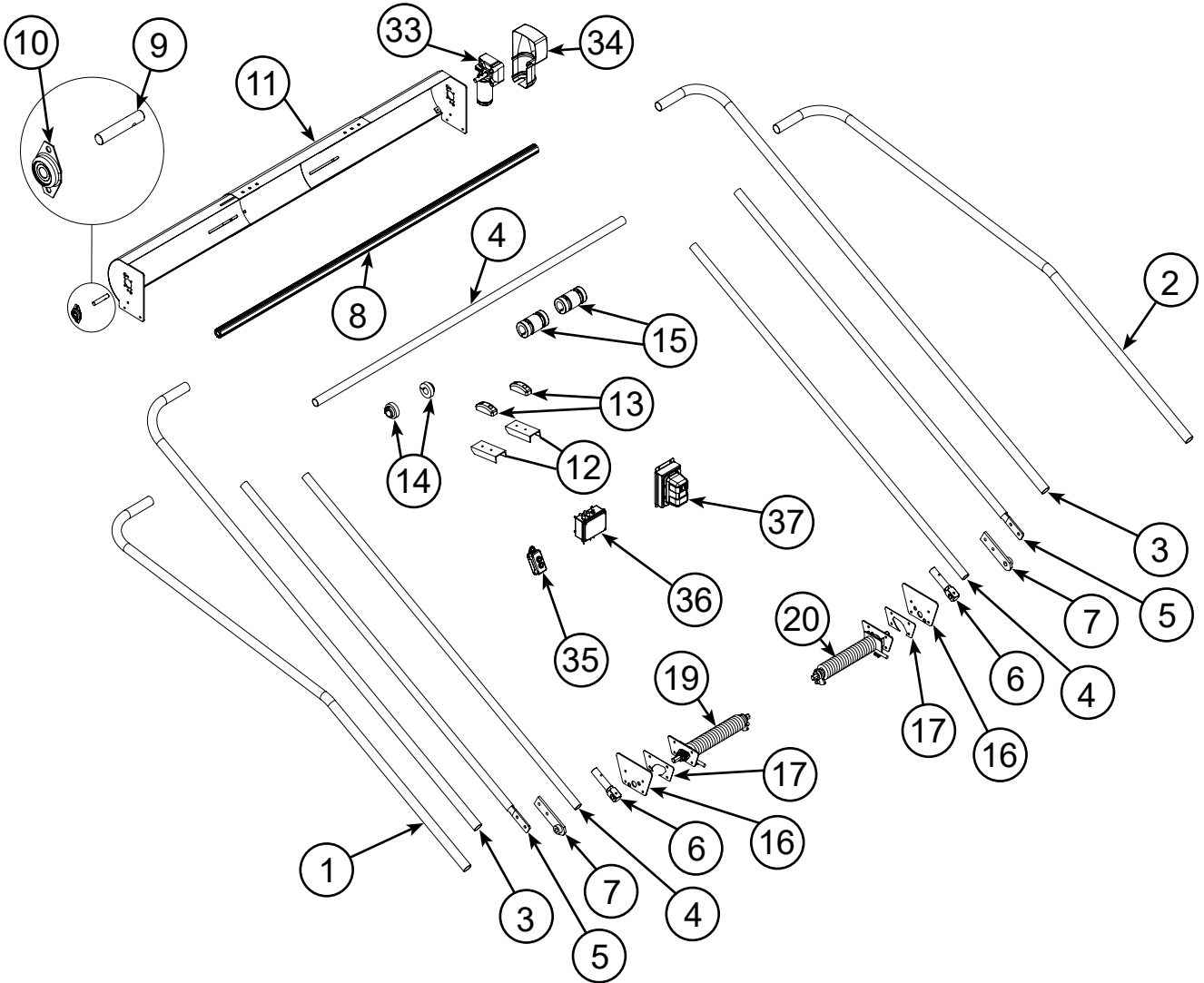
### Email / Web:

[sales@shurco.co.uk](mailto:sales@shurco.co.uk)  
[www.shurco.co.uk](http://www.shurco.co.uk)



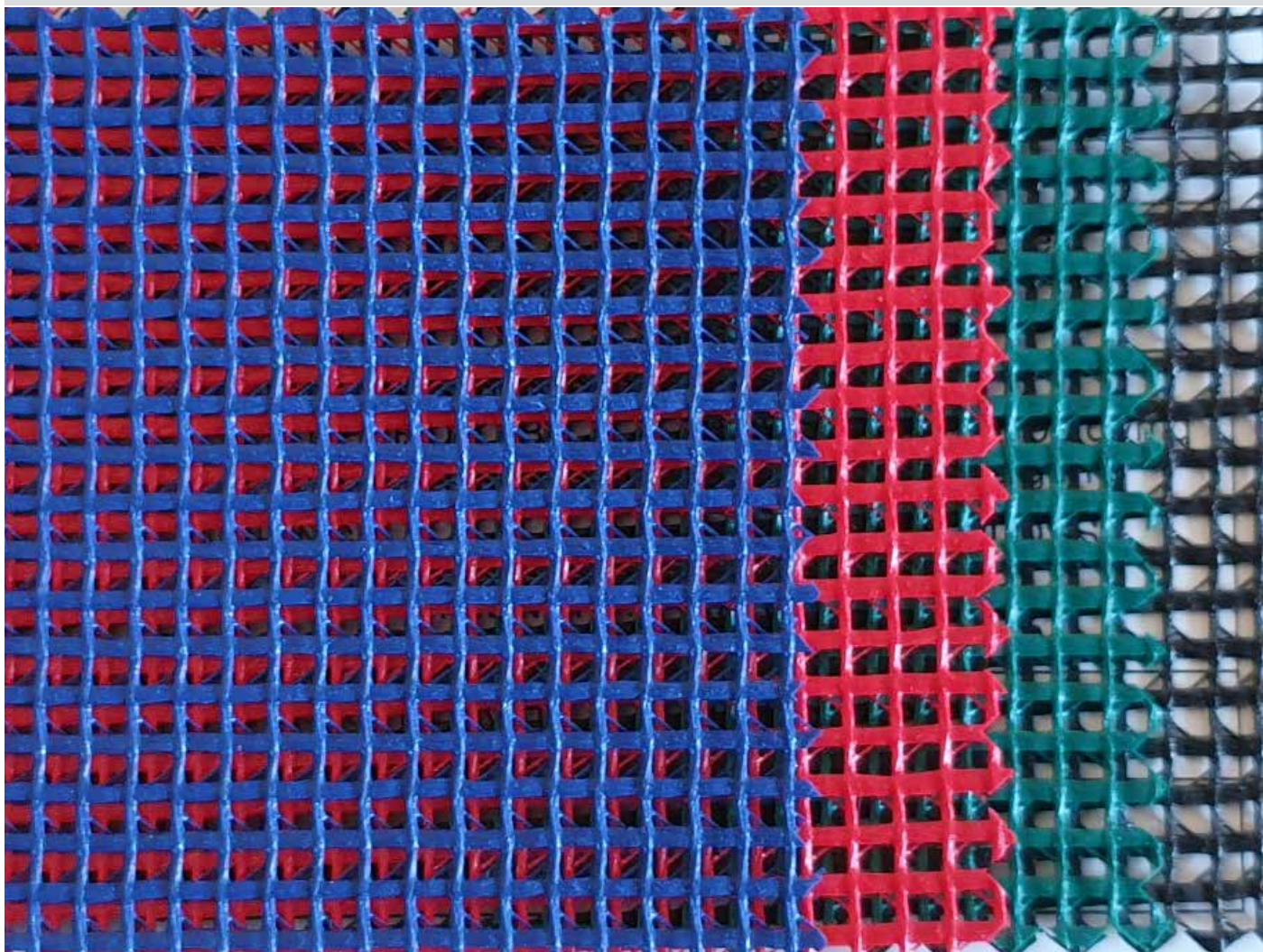


| Item | Part #  | Description                         |
|------|---------|-------------------------------------|
| 1    | 1805465 | 9000 RH Upper Arm                   |
| 2    | 1805463 | 9000 LH Upper Arm                   |
| 4    | 1805458 | Rear Cross Piece / Lower Arm        |
| 6    | 1805436 | Lower Arm Cast                      |
| 8    | 1800737 | Aluminium Roller Bar                |
| 9    | 1800094 | Shaft for Roller Bar                |
| 10   | 1800042 | 3/4" Bearing                        |
| 11   | 1809707 | Universal Housing                   |
| 12   | 1800744 | Steel Rear Stops                    |
| 13   | 1805524 | 4" x 1 3/4" Rubber Buffers          |
| 14   | 1805563 | Yellow Rubber Tarp Stops            |
| 16   | 1800960 | Universal Mounting Plate            |
| 17   | 1801049 | Shim Plate for Spring Assembly      |
| 19   | 1808486 | RH 22 Coil Spring Assembly          |
| 33   | 1801965 | 24V Durabuilt Electric Motor        |
| 34   | 1808998 | Durabuilt Electric Motor Cover Only |
| 36   | 1805480 | 24V Relay Box                       |
| 37   | 1127921 | 24V Smart 3 Control Box Kit         |
| 45   | 1800665 | Black Heavy-Duty Tipper Sheet       |
| 45B  | 1808564 | Blue Heavy-Duty Tipper Sheet        |
| 45G  | 1808565 | Green Heavy-Duty Tipper Sheet       |
| 45R  | 1808566 | Red Heavy-Duty Tipper Sheet         |



| Item | Part #  | Description                  | Item | Part #  | Description                    |
|------|---------|------------------------------|------|---------|--------------------------------|
| 1    | 1805465 | 9000 RH Upper Arm            | 13   | 1805524 | 4" x 1 3/4" Rubber Buffers     |
| 2    | 1805463 | 9000 LH Upper Arm            | 14   | 1805563 | Yellow Rubber Tarp Stops       |
| 3    | 1805460 | 9000 Straight Upper Arm      | 15   | 1808819 | XL Black Rubber Tarp Stops     |
| 4    | 1805458 | Rear Cross Piece / Lower Arm | 16   | 1800960 | Universal Mounting Plate       |
| 5    | 1805455 | Crimped Lower Arm            | 17   | 1801049 | Shim Plate for Spring Assembly |
| 6    | 1805436 | Lower Arm Cast               | 19   | 1808486 | RH 22 Coil Spring Assembly     |
| 7    | 1800915 | Crimped Lower Arm Bracket    | 20   | 1808485 | LH 22 Coil Spring Assembly     |
| 8    | 1800737 | Aluminium Roller Bar         | 33   | 1801965 | 24V Durabuilt Electric Motor   |
| 9    | 1800094 | Shaft for Roller Bar         | 34   | 1808998 | Durabuilt Electric Motor Cover |
| 10   | 1800042 | 3/4" Bearing                 | 35   | 1805543 | External Waterproof Switch     |
| 11   | 1809707 | Universal Housing            | 36   | 1805480 | 24V Relay Box                  |
| 12   | 1800744 | Steel Rear Stops             | 37   | 1127921 | 24V Smart 3 Control Box Kit    |





45B

45R

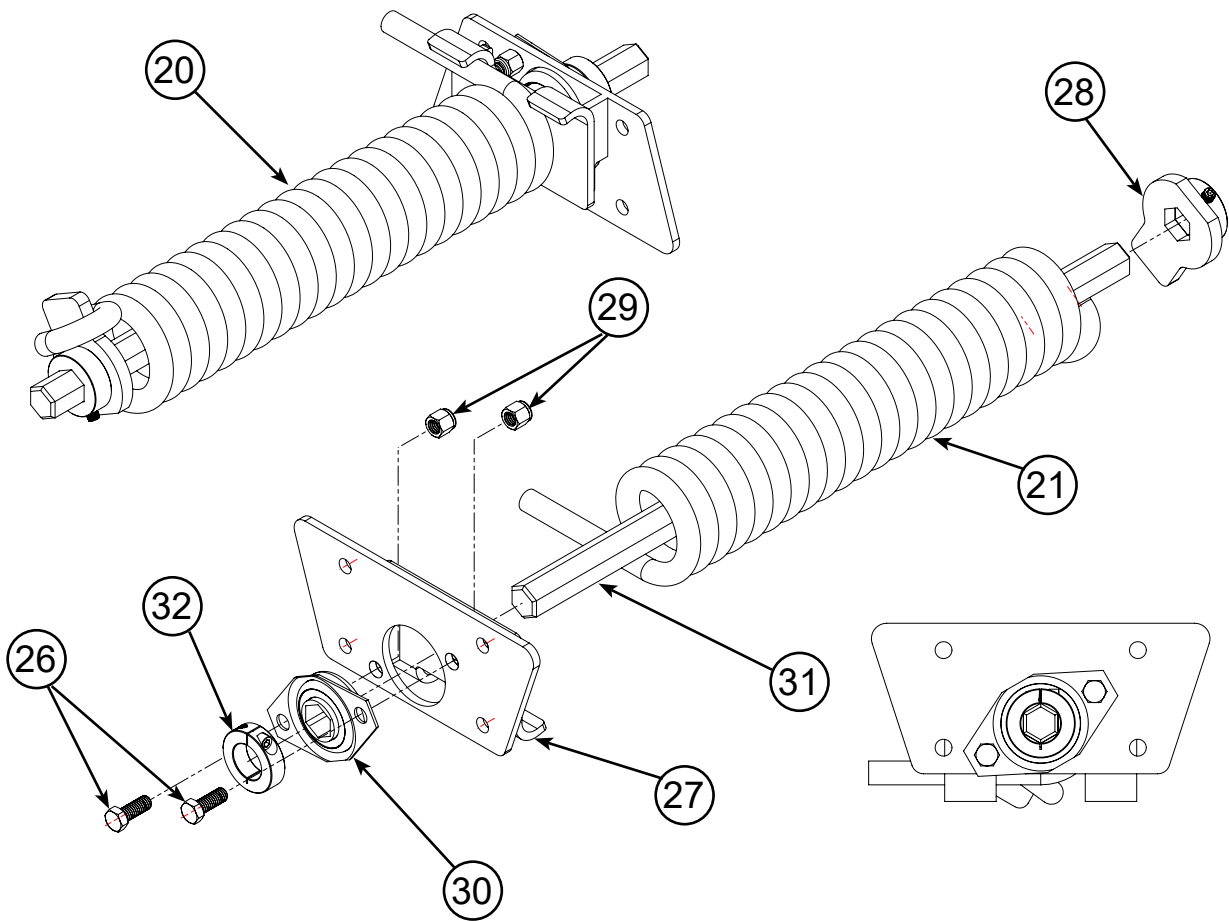
45G

45

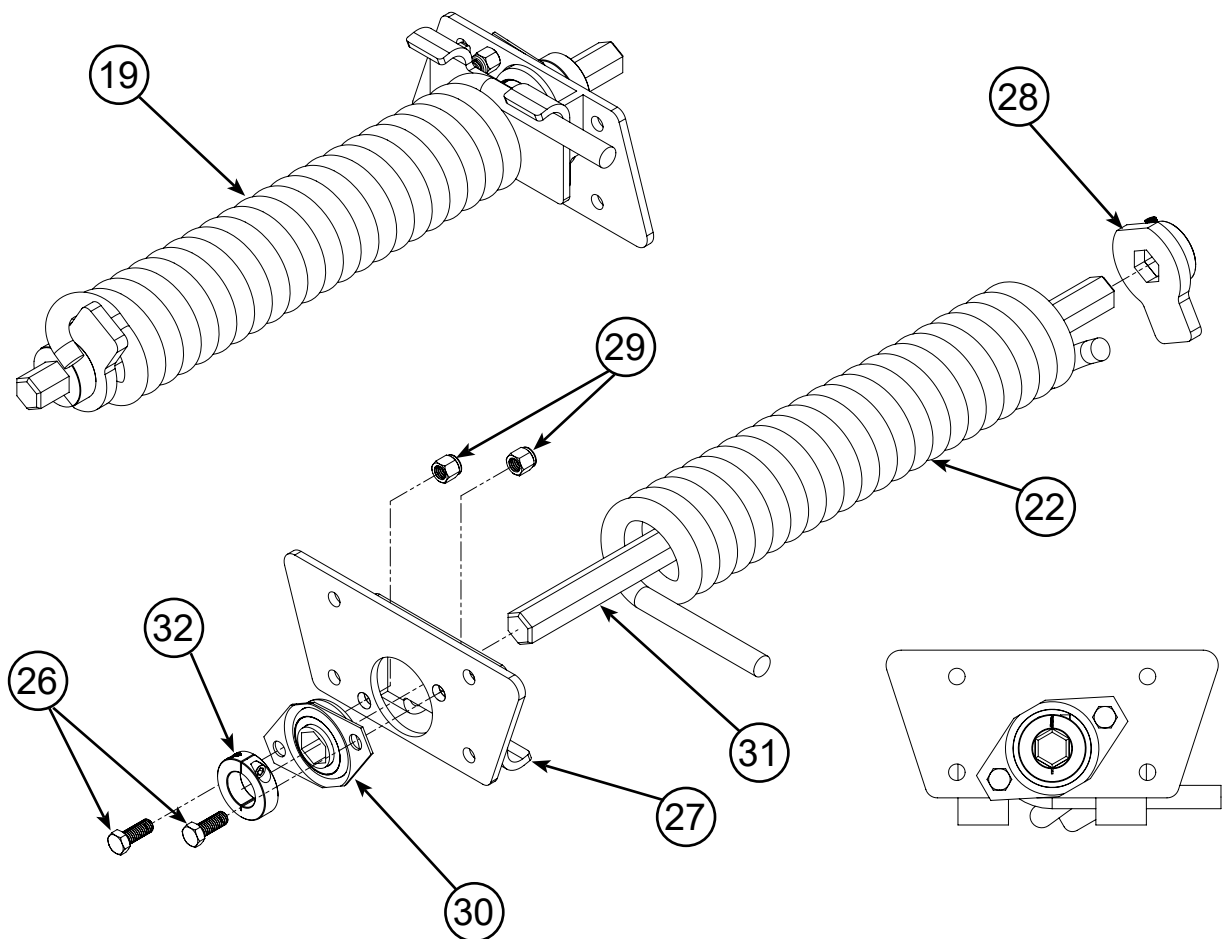
Standard mesh sheets 7' 6" x 24' in stock with next day delivery available in following colours:

| Item | Part #  | Description                   |
|------|---------|-------------------------------|
| 45   | 1800665 | Black Heavy-Duty Tipper Sheet |
| 45B  | 1808564 | Blue Heavy-Duty Tipper Sheet  |
| 45G  | 1808565 | Green Heavy-Duty Tipper Sheet |
| 45R  | 1808566 | Red Heavy-Duty Tipper Sheet   |

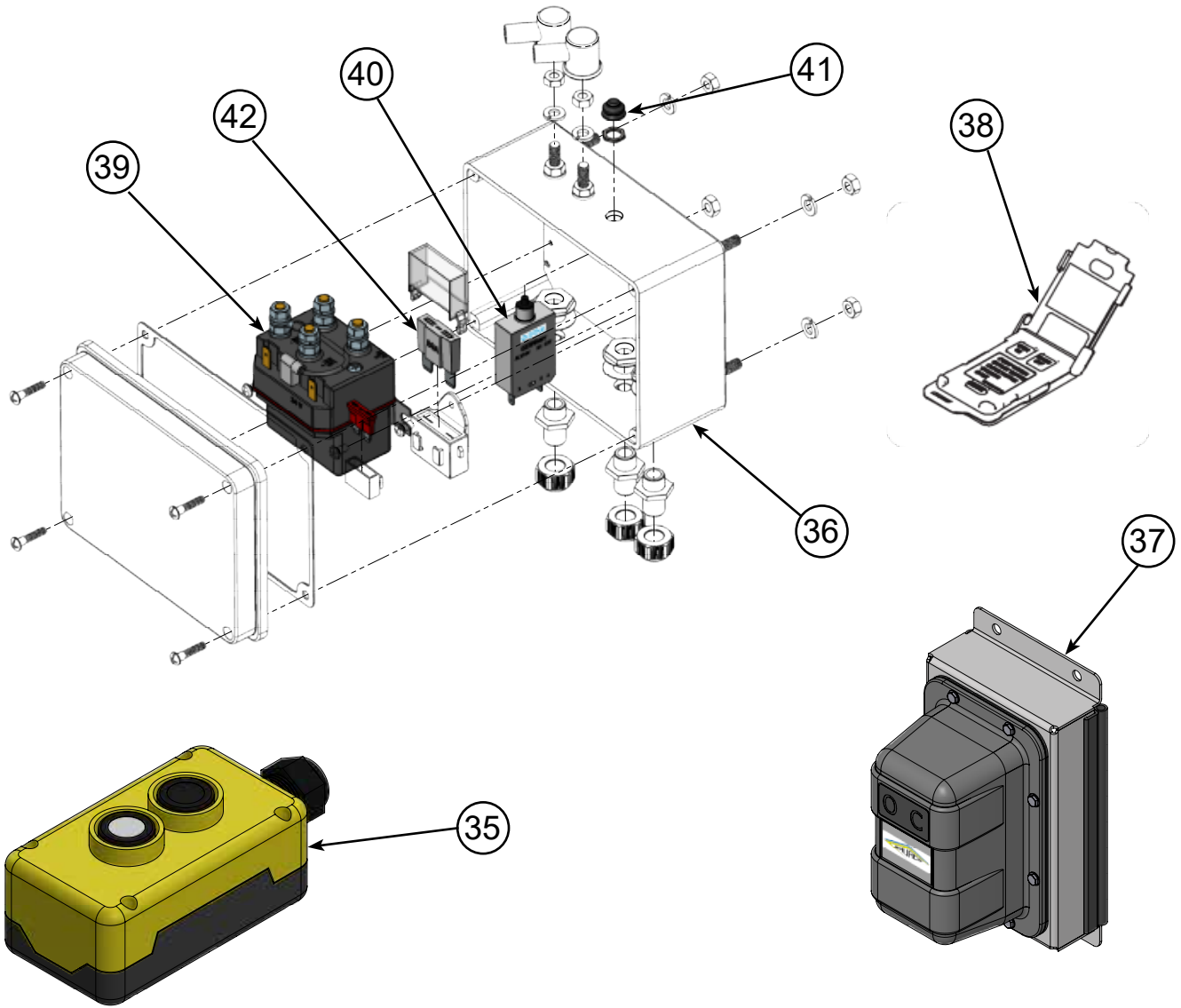
Bespoke colours and patterns available within few days from placing order, additional charges may apply. Please contact our office directly to receive quote.



| Item | Part #  | Description                      |
|------|---------|----------------------------------|
| 20   | 1808485 | LH 22 Coil Spring Assembly       |
| 21   | 1800279 | LH 22 Coil Spring                |
| 26   | 1800795 | Hex Bolt 3/8" x 1"               |
| 27   | 1800962 | Spring Retention Bracket         |
| 28   | 1801305 | Spring Lever Plate - Spring Stop |
| 29   | 1800993 | Nylon Locking Nut 3/8"           |
| 30   | 1801243 | Hex Shaft Ball Bearing           |
| 31   | 1801299 | Hex Shaft 20.5" Length           |
| 32   | 1808989 | Shaft Collar Single Zinc Finish  |

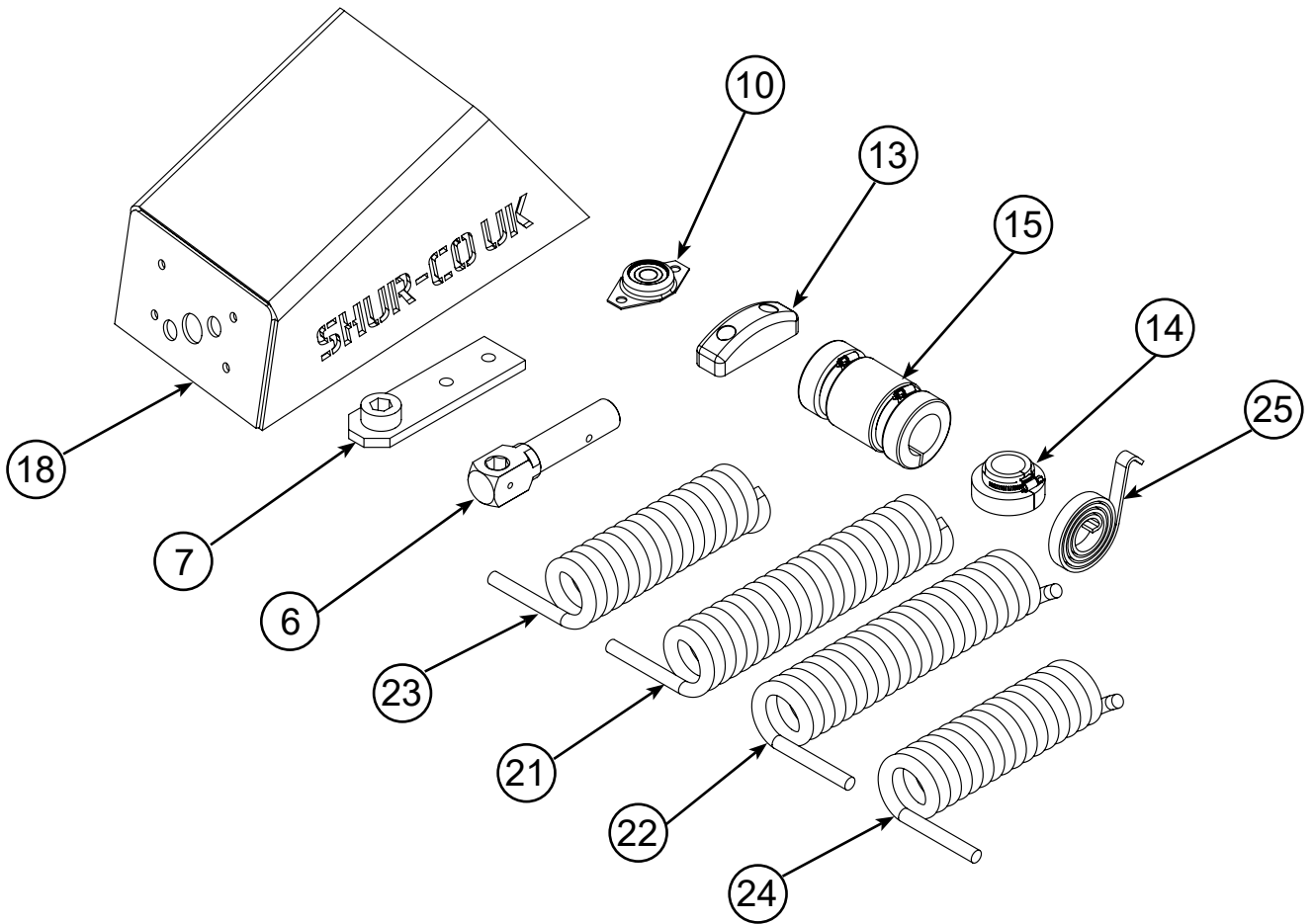


| Item | Part #  | Description                      |
|------|---------|----------------------------------|
| 19   | 1808486 | RH 22 Coil Spring Assembly       |
| 22   | 1800280 | RH 22 Coil Spring                |
| 26   | 1800795 | Hex Bolt 3/8" x 1"               |
| 27   | 1800962 | Spring Retention Bracket         |
| 28   | 1801305 | Spring Lever Plate - Spring Stop |
| 29   | 1800993 | Nylon Locking Nut 3/8"           |
| 30   | 1801243 | Hex Shaft Ball Bearing           |
| 31   | 1801299 | Hex Shaft 20.5" Length           |
| 32   | 1808989 | Shaft Collar Single Zinc Finish  |



| Item | Part #  | Description                      |
|------|---------|----------------------------------|
| 35   | 1805543 | External Waterproof Switch       |
| 36   | 1805480 | 24V Relay Box                    |
| 37   | 1127921 | 24V Smart 3 Control Box Kit      |
| 38   | 1126867 | Smart 3 Handheld Remote Only     |
| 39   | 1805439 | 24V Solenoid                     |
| 40   | 1805517 | Thermal Overcurrent Reset Switch |
| 41   | 1805519 | Rubber Boot & Nut for 1805517    |
| 42   | 1809871 | 80A Blade Fuse                   |





| Item | Part #  | Description                |
|------|---------|----------------------------|
| 6    | 1805436 | Lower Arm Cast             |
| 7    | 1800915 | Crimped Lower Arm Bracket  |
| 10   | 1800042 | 3/4" Bearing               |
| 13   | 1805524 | 4" x 1 3/4" Rubber Buffers |
| 14   | 1805563 | Yellow Rubber Tarp Stops   |
| 15   | 1808819 | XL Black Rubber Tarp Stops |
| 18   | 1810009 | Offset Spring Bracket      |
| 21   | 1800279 | LH 22 Coil Spring          |
| 22   | 1800280 | RH 22 Coil Spring          |
| 23   | 1800071 | LH 15 Coil Spring          |
| 24   | 1800072 | RH 15 Coil Spring          |
| 25   | 1800763 | Clock Spring               |

| Item | Part #  | Description                    | Page  |
|------|---------|--------------------------------|-------|
| 1    | 1805465 | 9000 RH Upper Arm              | 2,4   |
| 2    | 1805463 | 9000 LH Upper Arm              | 2,4   |
| 3    | 1805460 | 9000 Straight Upper Arm        | 4     |
| 4    | 1805458 | Rear Cross Piece / Lower Arm   | 2,4   |
| 5    | 1805455 | Crimped Lower Arm              | 4     |
| 6    | 1805436 | Lower Arm Cast                 | 2,4,9 |
| 7    | 1800915 | Crimped Lower Arm Bracket      | 4,9   |
| 8    | 1800737 | Aluminium Roller Bar           | 2,4   |
| 9    | 1800094 | Shaft for Roller Bar           | 2,4   |
| 10   | 1800042 | 3/4" Bearing                   | 2,4,9 |
| 11   | 1809707 | Universal Housing              | 2,4   |
| 12   | 1800744 | Steel Rear Stops               | 2,4   |
| 13   | 1805524 | 4" x 1 3/4" Rubber Buffers     | 2,4,9 |
| 14   | 1805563 | Yellow Rubber Tarp Stops       | 2,4,9 |
| 15   | 1808819 | XL Black Rubber Tarp Stops     | 4,9   |
| 16   | 1800960 | Universal Mounting Plate       | 2,4   |
| 17   | 1801049 | Shim Plate for Spring Assembly | 2,4   |
| 18   | 1810009 | Offset Spring Bracket          | 9     |
| 19   | 1808486 | RH 22 Coil Spring Assembly     | 2,4,7 |
| 20   | 1808485 | LH 22 Coil Spring Assembly     | 4,6   |
| 21   | 1800279 | LH 22 Coil Spring              | 6,9   |
| 22   | 1800280 | RH 22 Coil Spring              | 7,9   |
| 23   | 1800071 | LH 15 Coil Spring              | 9     |
| 24   | 1800072 | RH 15 Coil Spring              | 9     |

| Item | Part #  | Description                         | Page  |
|------|---------|-------------------------------------|-------|
| 25   | 1800763 | Clock Spring                        | 9     |
| 26   | 1800795 | Hex Bolt 3/8" x 1"                  | 6,7   |
| 27   | 1800962 | Spring Retention Bracket            | 6,7   |
| 28   | 1801305 | Spring Lever Plate - Spring Stop    | 6,7   |
| 29   | 1800993 | Nylon Locking Nut 3/8"              | 6,7   |
| 30   | 1801243 | Hex Shaft Ball Bearing              | 6,7   |
| 31   | 1801299 | Hex Shaft 20.5" Length              | 6,7   |
| 32   | 1808989 | Shaft Collar Single Zinc Finish     | 6,7   |
| 33   | 1801965 | 24V Durabuilt Electric Motor        | 2,4   |
| 34   | 1808998 | Durabuilt Electric Motor Cover Only | 2,4   |
| 35   | 1805543 | External Waterproof Switch          | 8     |
| 36   | 1805480 | 24V Relay Box                       | 2,4,8 |
| 37   | 1127921 | 24V Smart 3 Control Box Kit         | 2,4,8 |
| 38   | 1126867 | Smart 3 Handheld Remote             | 8     |
| 39   | 1805439 | 24V Solenoid                        | 8     |
| 40   | 1805517 | Thermal Overcurrent Reset Switch    | 8     |
| 41   | 1805519 | Rubber Boot & Nut for 1805517       | 8     |
| 42   | 1809871 | 80A Blade Fuse                      | 8     |
| 43   | 1800650 | Cable Twin Core 8GA                 |       |
| 44   | 1808650 | Cable Twin Core 10GA                |       |
| 45   | 1800665 | Black Heavy-Duty Tipper Sheet       | 2,5   |
| 45B  | 1808564 | Blue Heavy-Duty Tipper Sheet        | 2,5   |
| 45G  | 1808565 | Green Heavy-Duty Tipper Sheet       | 2,5   |
| 45R  | 1808566 | Red Heavy-Duty Tipper Sheet         | 2,5   |
|      | K9000   | 9000 Arm Kit w/Crimped Lower Arms   |       |



**Shur-Co® UK Limited**

[www.shurco.co.uk](http://www.shurco.co.uk)

*Nov. 2021 Rev. D*